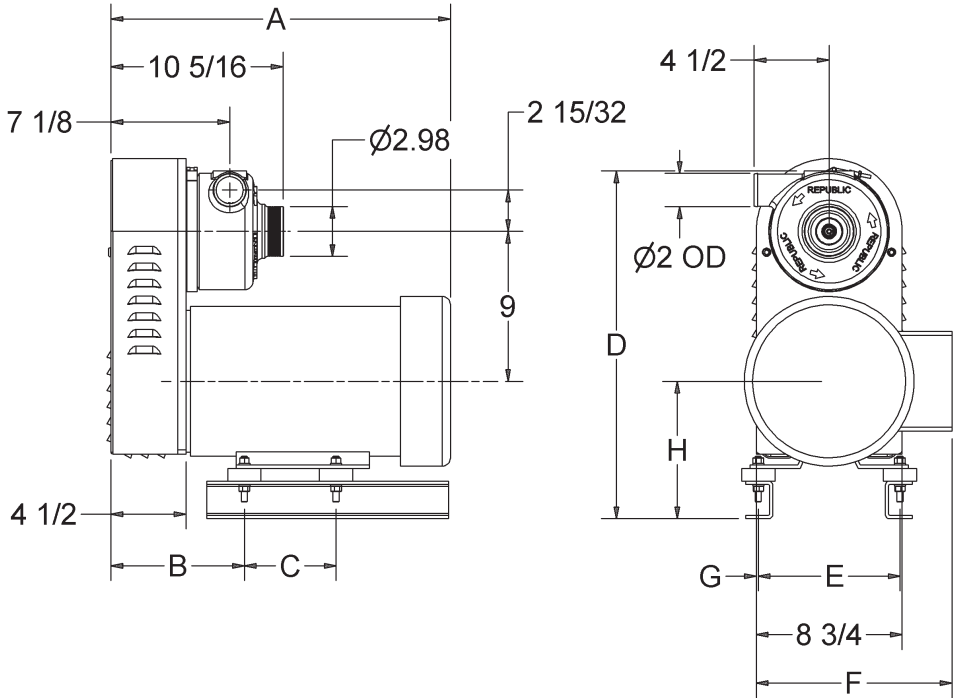




REPUBLIC
Blower Systems®

Republic Centrifugal Blower RB 500



RB 500 Specifications

- ▲ 3-7.5 Horsepower – Up to 20,000 RPM
- ▲ Self-tensioning Belt
- ▲ Smallest Footprint – Ideal Inside Machine Cabinets
- ▲ Ceramic Hybrid Bearings
- ▲ Multi-lip Seals on Both Ends of the Shaft
- ▲ Easy to Remove Bearing/Impeller Housing for Quick Repair
- ▲ Lightweight, small envelope design
- ▲ Hard anodized (optional)
- ▲ 2" inlet/outlet
- ▲ Blower Outlet Discharge is Rotatable
- ▲ Precision Balanced Shaft/Impeller Assemblies
- ▲ Nickel Plated Steel Motor Pulley
- ▲ Stainless Steel Blower Pulley
- ▲ Aluminum Blower Housing
- ▲ 6061 T6 Aluminum Impeller
- ▲ Bearing Housing is Steel Construction for Extra Rigidity
- ▲ 10 Groove Belt for Long Life
- ▲ Inlet and Outlet Flanges Available
- ▲ Enclosures for Noise Control (optional)
- ▲ Exhaust silencer (optional)
- ▲ Operational with all Types of Blowers – Washdown, Explosion Proof, High Efficiency and Hydraulic
- ▲ 100% Operational Performance and Vibration Tested
- ▲ One Year Warranty
- ▲ Water-cooled Blower Available

HP	A	B	C	D	E	F	G	H
3 (182T)	17.42	7 1/4	4 1/2	20 1/8	7 1/2	10 1/4	5/8	7 1/2
5 (184T)	18.41	7 1/4	5 1/2	20 1/8	7 1/2	10 1/4	5/8	7 1/2
7 1/2 (213T)	20	8	5 1/2	20 7/8	8 1/2	11 3/4	1/8	8 1/4

HP	Est. WGT. (lbs)
3 (182T)	128
5 (184T)	142
7 1/2 (213T)	163

Retro Kit Est. WGT. (lbs)	50
---------------------------	----

5131 Cash Road ▲ Dallas, TX 75247 ▲ P 214.631.8070 ▲ F 214.631.3673 ▲ 800.847.0380

www.republicsales.com



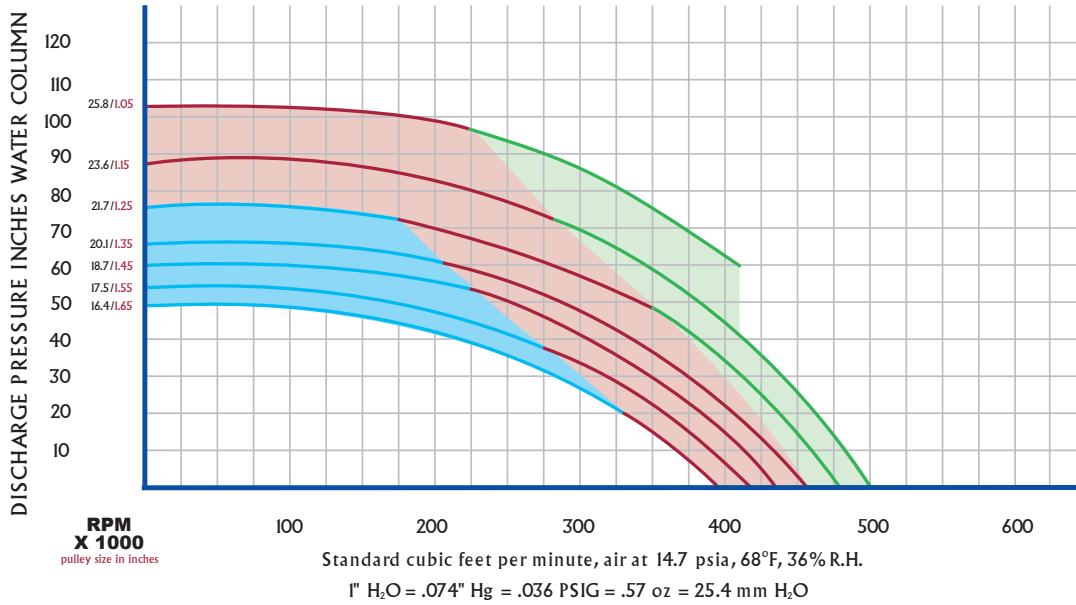
Republic Centrifugal Blower Performance Curves

REPUBLIC

Blower Systems®

RB 500/3-7.5 HP

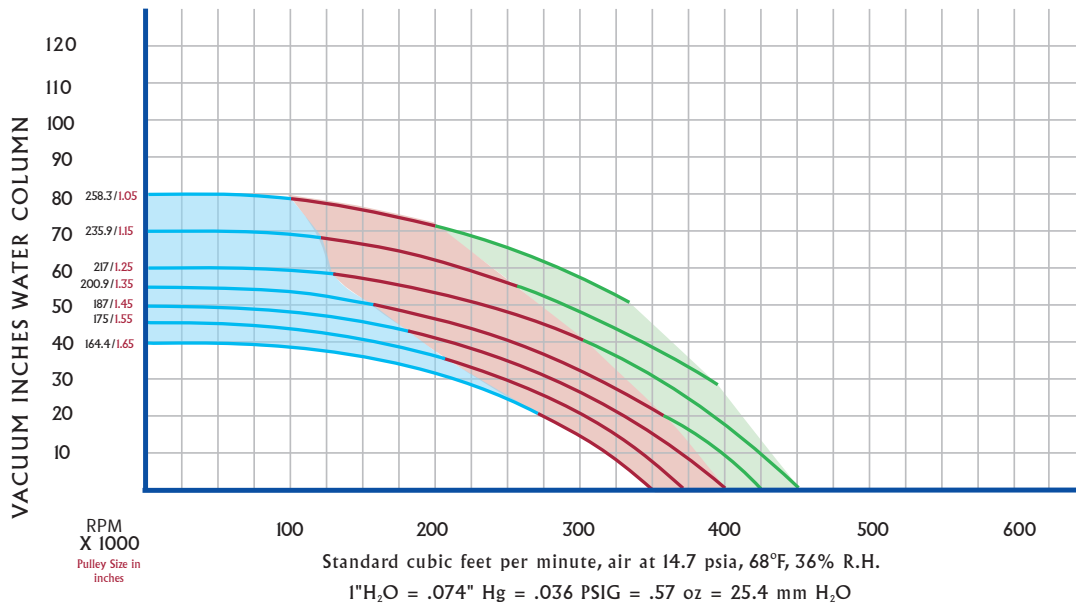
Pressure vs. CFM



■ RB 500-3 HP
 ■ RB 500-5 HP
 ■ RB 500-7.5 HP

RB 500/3-7.5 HP

Vacuum vs. CFM



■ RB 500-3 HP
 ■ RB 500-5 HP
 ■ RB 500-7.5 HP

5131 Cash Road ▲ Dallas, TX 75247 ▲ P 214.631.8070 ▲ F 214.631.3673 ▲ 800.847.0380

www.republicsales.com

©2006 Republic Sales & Manufacturing
 Created 02/06
 280-0075