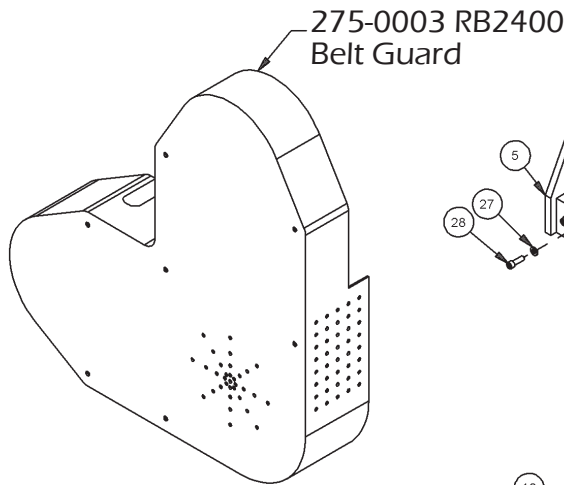
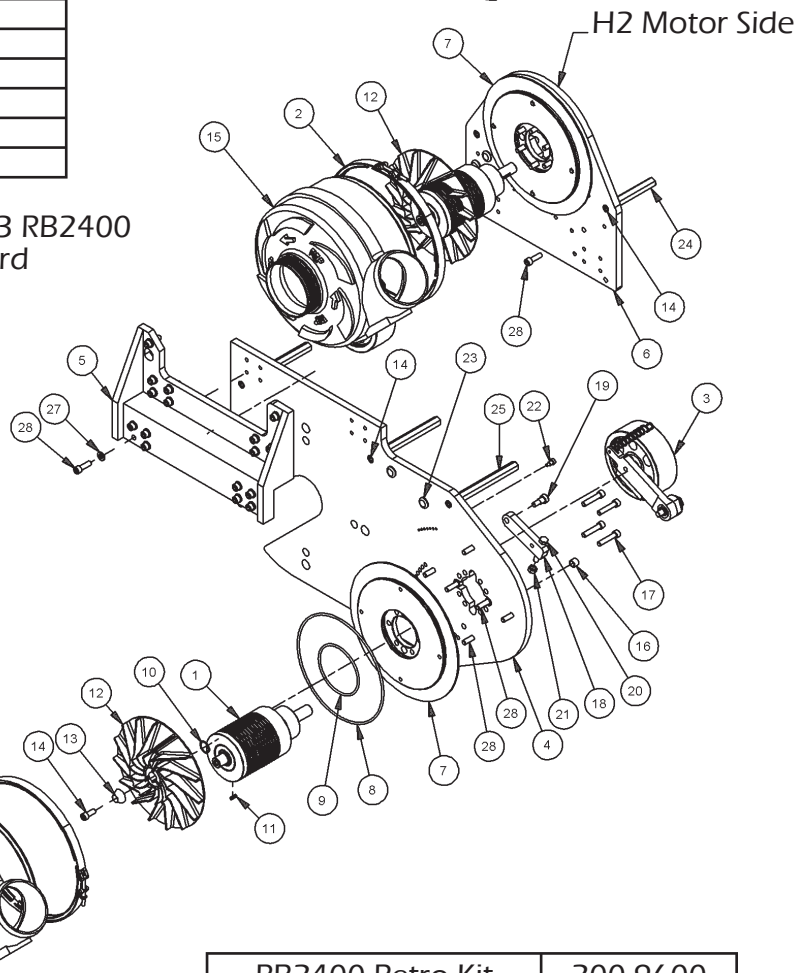
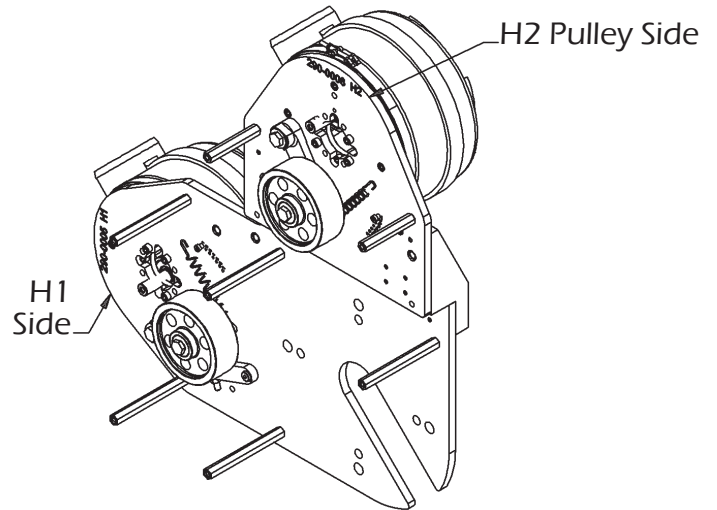




Bill of Materials

Item No.	Part No.	Qty.	Description
1	200-0102	2	RB2400 Bearing Housing Assy.
2	250-0900	2	Band Clamp
3	200-0206	2	5" Steel Dbl. Brg. T.P. Assy.
4	290-0005	1	Large Mounting Plate, RB2400
5	290-0010	1	RB2400 Support Brkt.
6	290-0008	1	Small Mounting Plate, RB2400
7	250-0101	2	Housing Plate
8	210-0200	2	O-Ring 265 Viton (Housing)
9	210-0202	2	O-Ring 238 Viton
10	210-0323	2	Washer SS 7/8 x .722 x .020
11	210-0402	2	Key, SS 1/8 sq. x 1/2 lg.
12	250-0011R	2	Impeller, Balanced 23/32 Bore
13	250-0601	2	Cone RB2400
14	210-1604	9	5/16-18 x 3/4 SS SHC Screw
15	250-0300	2	Blower Housing
16	210-2301	2	Helicoil 3/8-16, 11856CN375
17	210-1603	8	5/16-18 x 1-1/2 SS SHC Screw
18	290-0200P	2	Tension Block
19	210-0602	2	Shoulder Bolt SS 3/8 x 3/8
20	210-1606	2	Screw 5/16-18x2 SS HH Tap Bolt
21	210-0903	2	5/16-18 SS Hex Nut
22	210-0601	2	Shoulder Bolt (Ext. Spring)
23	310-9032	4	Plastic Plug, 3/4 x 14-20
24	275-0100	2	Stand-Off
25	275-0101	5	Stand-Off 5-3/4 lg.
26	210-1608	4	5/16-18 x 1/2 SS SHC Screw
27	210-0318	18	5/16 SS Split Lock Washer
28	210-1602	32	5/16-18 x 1 SS SHC Screw



RB2400 Retro Kit	200-9600
------------------	----------