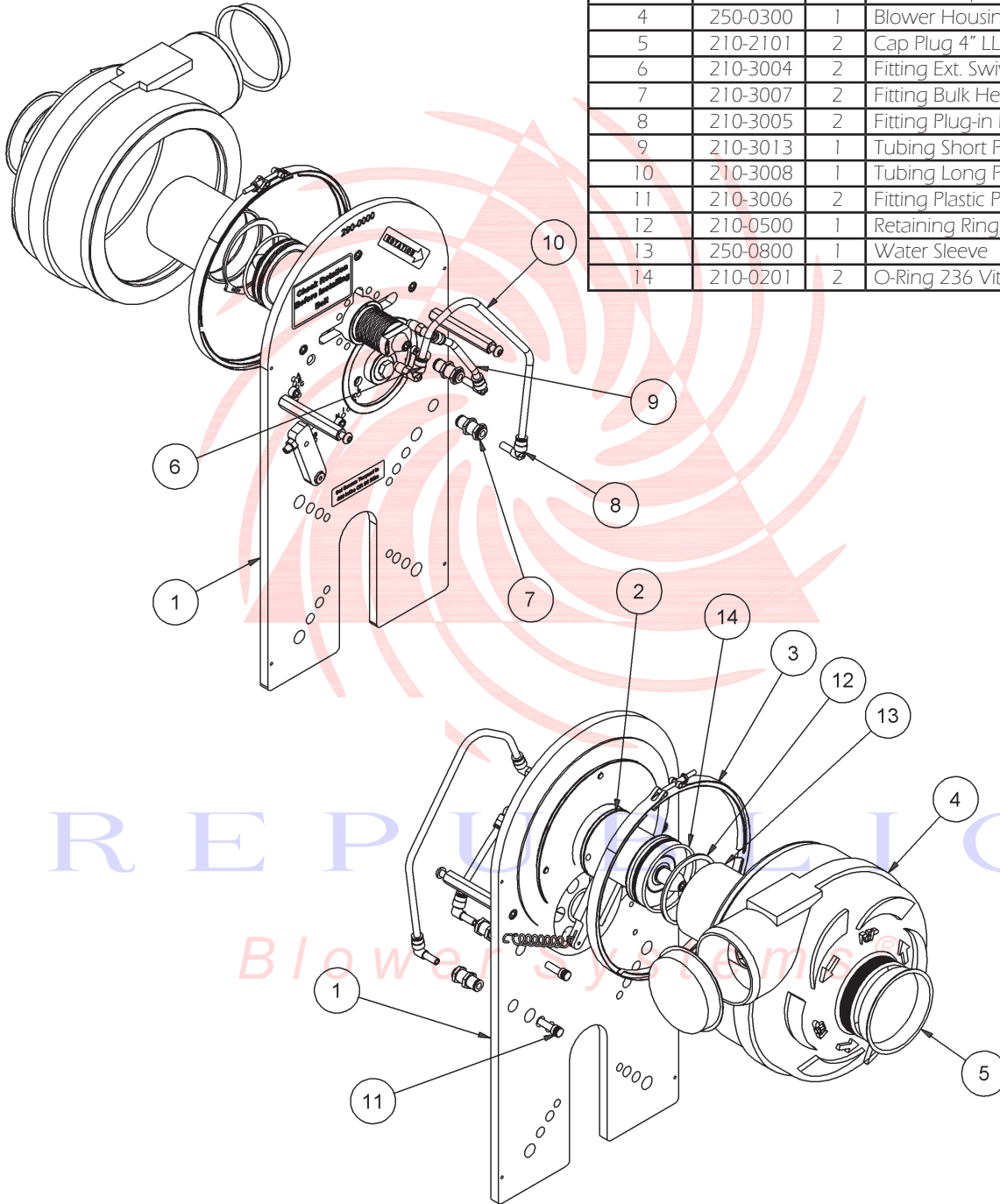




Bill of Materials

Item No.	Part No.	Qty.	Description
1	200-0300	1	RB1200HC Water-Cooled Option Assy.
2	200-6145	1	Water-Cooled Bearing Housing Assy.
3	250-0900	1	Band Clamp
4	250-0300	1	Blower Housing
5	210-2101	2	Cap Plug 4" LLC Red
6	210-3004	2	Fitting Ext. Swivel Elbow 6525-8
7	210-3007	2	Fitting Bulk Head Union 6590-8
8	210-3005	2	Fitting Plug-in Elbow 6555-8-8
9	210-3013	1	Tubing Short PTFE 3/16 x 5/16 x 14"
10	210-3008	1	Tubing Long PTFE 3/16 x 5/16
11	210-3006	2	Fitting Plastic Plug 6900-8
12	210-0500	1	Retaining Ring Water Sleeve
13	250-0800	1	Water Sleeve
14	210-0201	2	O-Ring 236 Viton



RB1200HC Water-Cooled Option Assembly	200-9600WC
---------------------------------------	------------