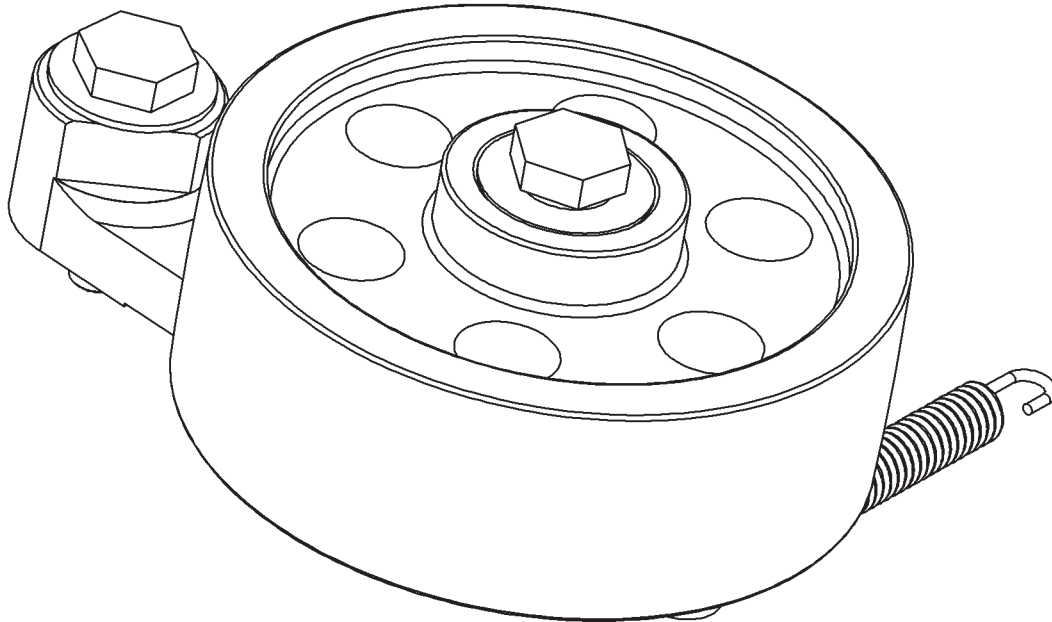


4" Steel Double Bearing Tension Pulley Assembly	200-0214
---	----------



5" Steel Double Bearing Tension Pulley Assembly	200-0206
---	----------