

4" 90° Elbow
2 PL

6" 45° Elbow
2 PL

6" Y-Branch

Adapter 6"-4"
3 PL

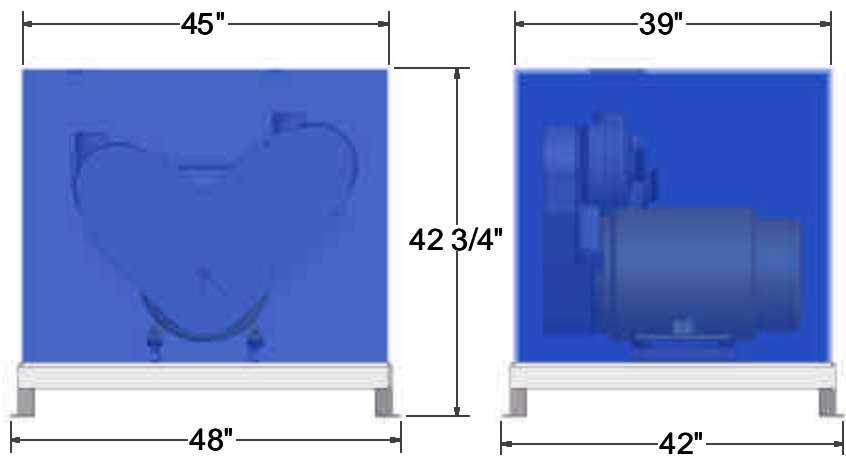
4" B/F Valve

4 Port Manifold

36" Air Knife
4 PL

3" Flex Hose

RB 2400 w/30 HP Motor
in an Acoustical Enclosure



UNLESS OTHERWISE SPECIFIED		DRAWN	3/28/2001	Republic Sales & Mfg.	
ALL DIMENSIONS ARE IN INCHES		Ben Valdez		TITLE	
TOLERANCES		CHECKED		RB 2400 System Can	
DECIMALS: ±0.005	FRACTIONS: ±1/32	GA		Line 1	
XX ±0.010	ANGLES: ±0.007	MFG		SIZE	DWG NO
BREAK ALL SHARP EDGES		APPROVED		C	CanLine1
MACHINE SURFACE FINISH RMS		MATERIAL		SCALE	N/A
125		FINISH	N/A	SHEET	1 OF 1
NOTICE				REV	
<small> REPRODUCTION OF THIS DOCUMENT AND ALL ACCOMPANYING INFORMATION AND DATA ARE AND REMAIN THE PROPERTY OF REPUBLIC SALES & MFG. AND ARE NOT TO BE COPIED, REPRODUCED, REPRODUCED, NOT TRANSMITTED OR BE CLOSED TO OTHERS WITHOUT EXPRESS WRITTEN PERMISSION AND ARE TO BE RETURNED UPON REQUEST. THE INFORMATION CONTAINED HEREIN IS UNCLASSIFIED EXCEPT WHERE SHOWN OTHERWISE. ALL RIGHTS IN ANY PATENT AND/OR TRADEMARKS OF THE SUBJECT MATTER ARE EXPRESSLY RESERVED BY REPUBLIC SALES & MFG. REVISIONS TO THIS DRAWING SHALL BE INDICATED BY A CHANGE TO THE DOCUMENT. </small>					