

4

3

2

1

D

D

C

C

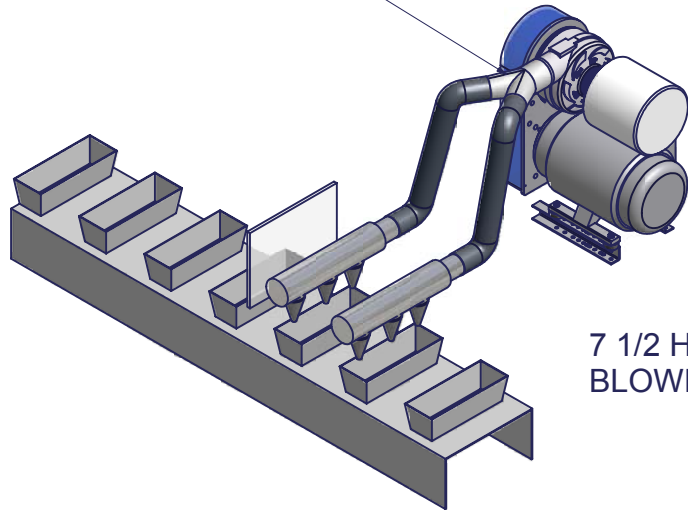
B

B

A

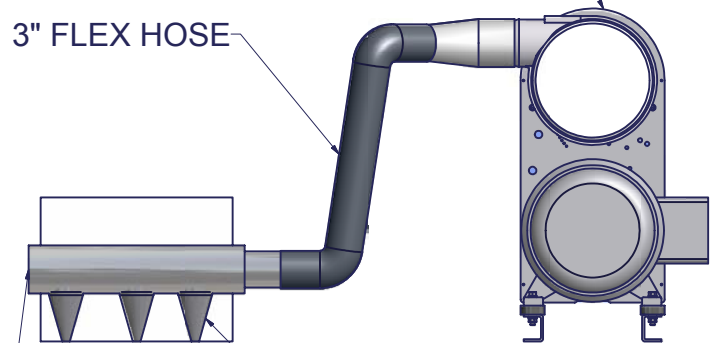
A

'Y' BRANCH



7 1/2 HP RB1200 BLOWER SYSTEM

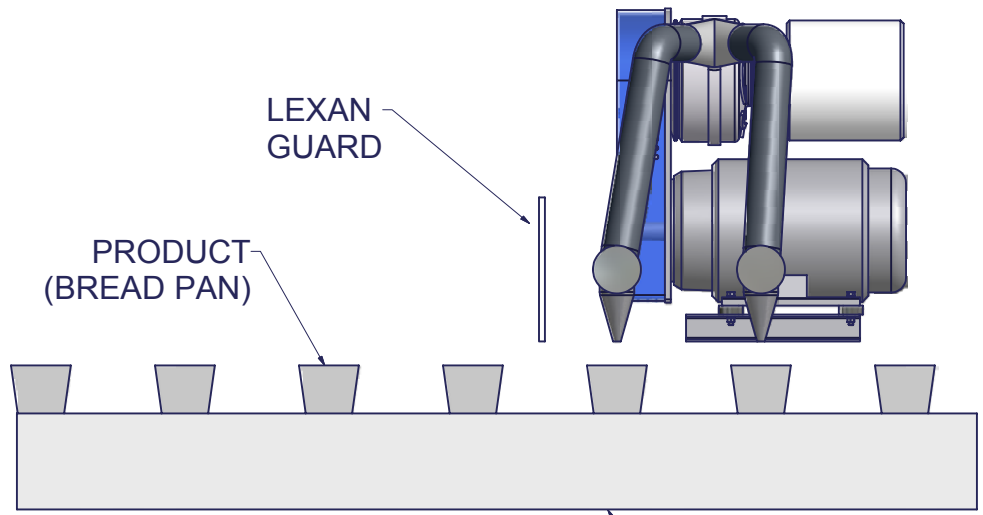
3" FLEX HOSE



1/2 X 3 NOZZLE

LEXAN GUARD

PRODUCT (BREAD PAN)



CONVEYOR

MANIFOLD

Republic Sales & Mfg.

1.800.847.0380
214.631.9070 214.631.2585

DRAWING CONFIGURATION IS **CONCEPTUAL ONLY**. DIMENSIONS ARE APPROXIMATE. **DO NOT SCALE**

TITLE
Bread Pan Drying System

DWG NO
Bread Pan Line

4

3

2

1

4