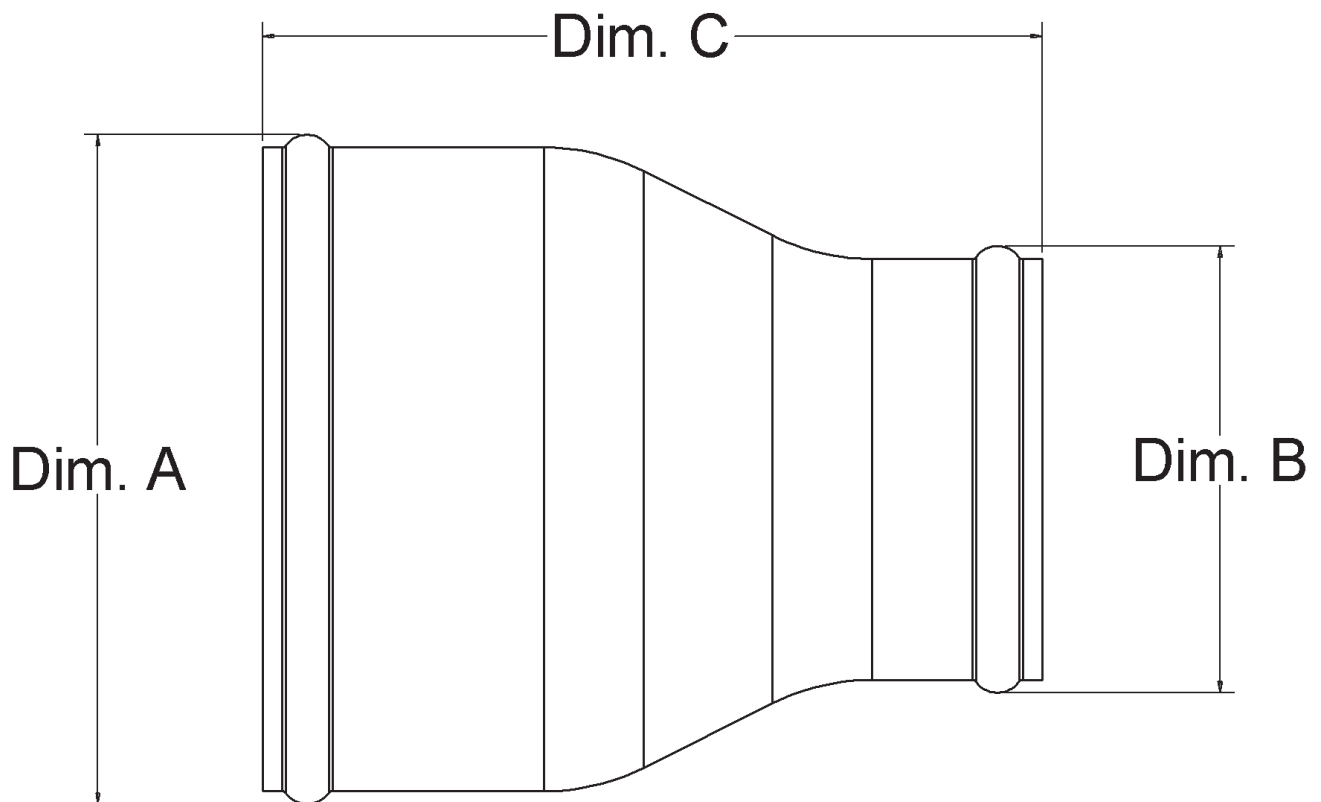
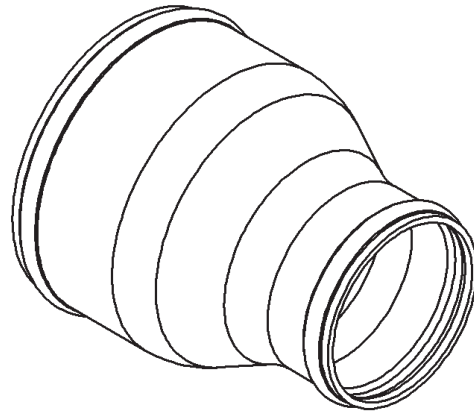




Part No.	A	B	C
330-3001	3"	2"	5"
330-3003	4"	3"	5"
330-3006	6"	4"	8"
330-3015	6"	5"	8"



Reducer	330-30**
---------	----------