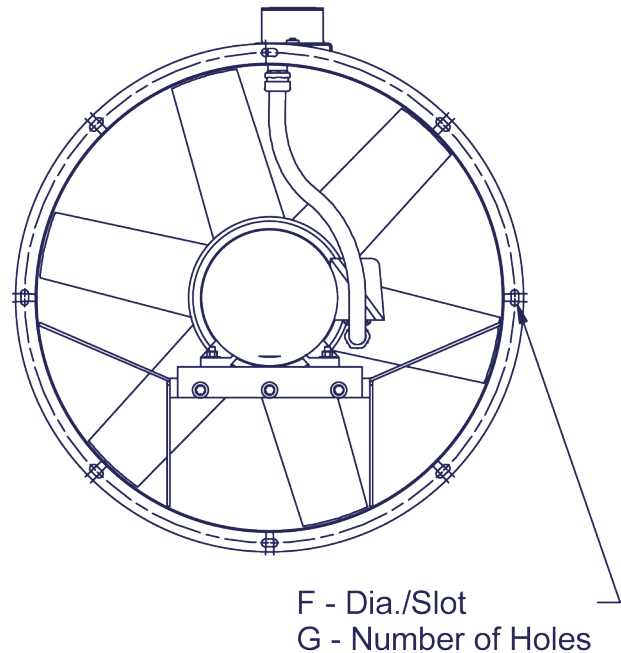
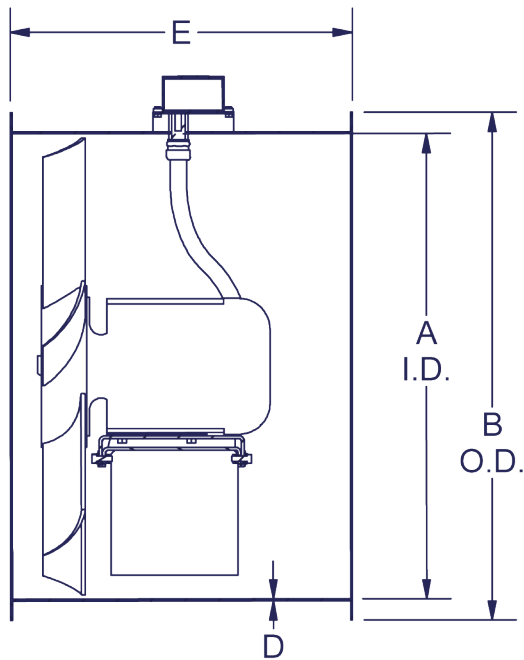




Republic Direct Drive Tubeaxial Fans RTAF-30

REPUBLIC
Blower Systems®

Republic offers a complete line of high flow direct drive tubeaxial fans. Designed for use in low to medium pressure ducted applications the Republic Direct Drive Tubeaxial Fans may be mounted either horizontally or vertically. They are generally used for removal of contaminated air or hot air found in industrial applications; but can also be used to supply air through duct work for cooling or pressurizing interior spaces. The low-maintenance, oil-free design provides continuous, dependable service.



Model	Motor (HP)	TEFC Motor Frame	Dimensions						
			A	B	C	D	E	F	G
RTAF-30	3	182T	30.25	33	31.80	11 ga.	22.24	0.5 x 1	8
	5	184TC	30.25	33	31.80	11 ga.	22.24	0.5 x 1	8
	7.5	213TC	30.25	33	31.80	11 ga.	22.24	0.5 x 1	8



Republic Tube Axial Blowers RTAF-30

REPUBLIC
Blower Systems®

Low Pressure

Model	Fan BHP		Standard Air Delivery (CFM)							RPM	Motor HP	Approx. Weight (lbs.)	
	Free Air	Max.	Free Air	Static Pressure (Inches of Water)									
				1/8"	1/4"	3/8"	1/2"	5/8"	3/4"				1"
RTAF-30	0.21	0.24	6190	4620	2210						860	1/4	145
	0.27	0.28	6635	4940							1725	1/4	135
	0.46	0.51	7735	6530	5320	3910					1725	1/2	145
	0.38	0.45	7815	5950							650	1/2	165
	0.41	0.45	7590	6180	4430						1140	1/2	150
	0.37	0.45	8340	7050	4750						860	1/2	195
	0.49	0.56	8175	7040	5750						1140	1/2	145
	0.57	0.67	9535	8350	5820						860	3/4	240
	0.81	0.97	10080	8850	6910	4210					860	1	245
	0.92	1.12	11310	10400	9350	7900	5600				1140	1	165
	1.37	1.50	11340	10500	9510	8390	7190	5920	4100		1725	1 1/2	190
	1.27	1.49	12430	11580	10500	8700	5520				1140	1 1/2	215
	1.78	2.02	11890	11100	10300	9410	8530	7530	4730		1715	2	190
	1.89	2.27	13320	12400	11300	9960	8200	6000			1140	2	235
	2.77	3.34	16070	15420	14570	14000	13150	12200	11120	7500	1725	3	225
4.65	5.43	19180	18550	18000	17450	16750	16000	15000	11800	1752	5	250	

Medium Pressure

Model	Standard Air Delivery (CFM)									RPM	Motor HP	Approx. Weight (lbs.)
	Free Air	Static Pressure (Inches of Water)										
		1/4"	1/2"	3/4"	1"	1 1/4"	1 1/2"	1 3/4"	2"			
RTAF-30	12000	11500	11000	10400	9600	8600	7500	5400	4600	1725	3	350
	15400	14900	14300	13700	13000	12200	11200	9600	6000	1725	5	360
	19600	19000	18400	17800	17000	16200	15400	14000		1725	7.5	270

*Minimum 1/4 HP motors are usually furnished where ratings for 1/8 HP and less are specified; the next higher HP rating is usually furnished in place of 1/3, 3/4, and some 1 1/2 HP ratings.

5131 Cash Road ▲ Dallas, TX 75247 ▲ P 214.631.8070 ▲ F 214.631.3673 ▲ 800.847.0380

www.republicsales.com

©Republic Blower Systems®
Created 09.2010