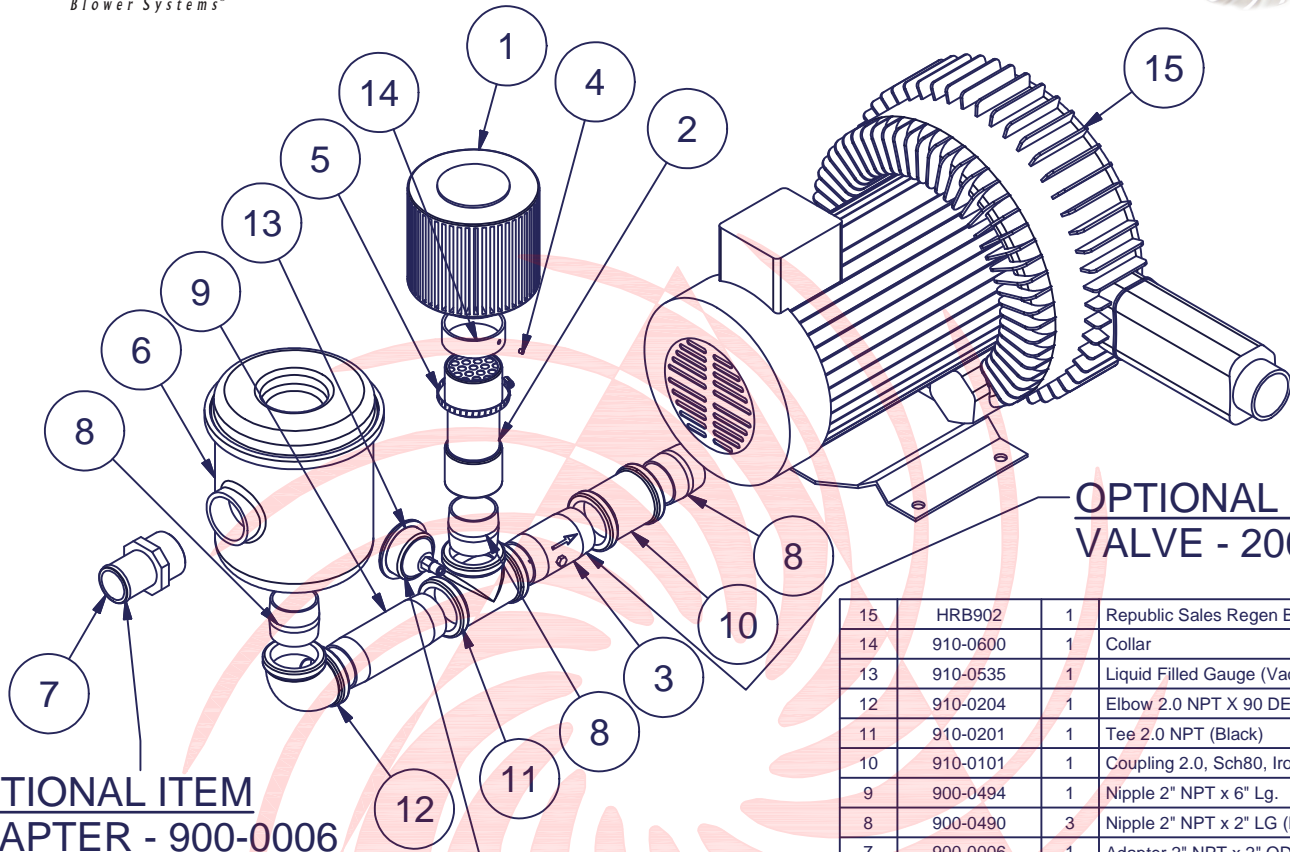




REPUBLIC  
Blower Systems®



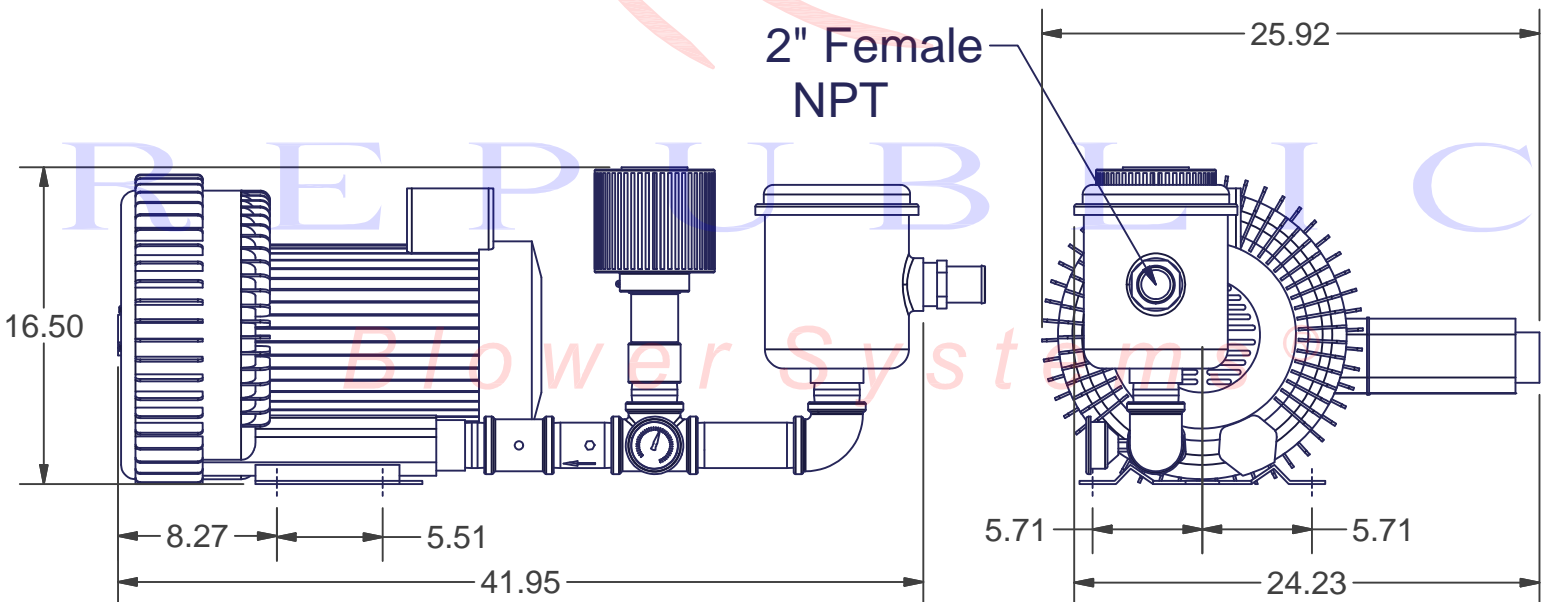
**OPTIONAL ITEM**  
**ADAPTER - 900-0006**

**OPTIONAL ITEM**  
**GAUGE - 910-0535**

**OPTIONAL ITEM**  
**VALVE - 200-0920**

15	HRB902	1	Republic Sales Regen Blower
14	910-0600	1	Collar
13	910-0535	1	Liquid Filled Gauge (Vacuum) Regens
12	910-0204	1	Elbow 2.0 NPT X 90 DEG (Black)
11	910-0201	1	Tee 2.0 NPT (Black)
10	910-0101	1	Coupling 2.0, Sch80, Iron
9	900-0494	1	Nipple 2" NPT x 6" Lg.
8	900-0490	3	Nipple 2" NPT x 2" LG (Black)
7	900-0006	1	Adapter 2" NPT x 2" OD
6	340-2115	1	In-Line Vacuum Filter (2.0")
5	330-6332	1	Clamp 3in 304 SS Worm Gear
4	210-1008	1	Screw Set 1/4-20 X 3/16
3	200-0920	1	Valve
2	200-0516	1	2" Vacuum Relief Valve
1	C 17100	1	Inlet Air Filter
ITEM	PART NUMBER	QTY	DESCRIPTION

Bill of Materials



Approx Weight \_\_\_\_\_

Kit Vacuum 2" NPT

KVHRB902