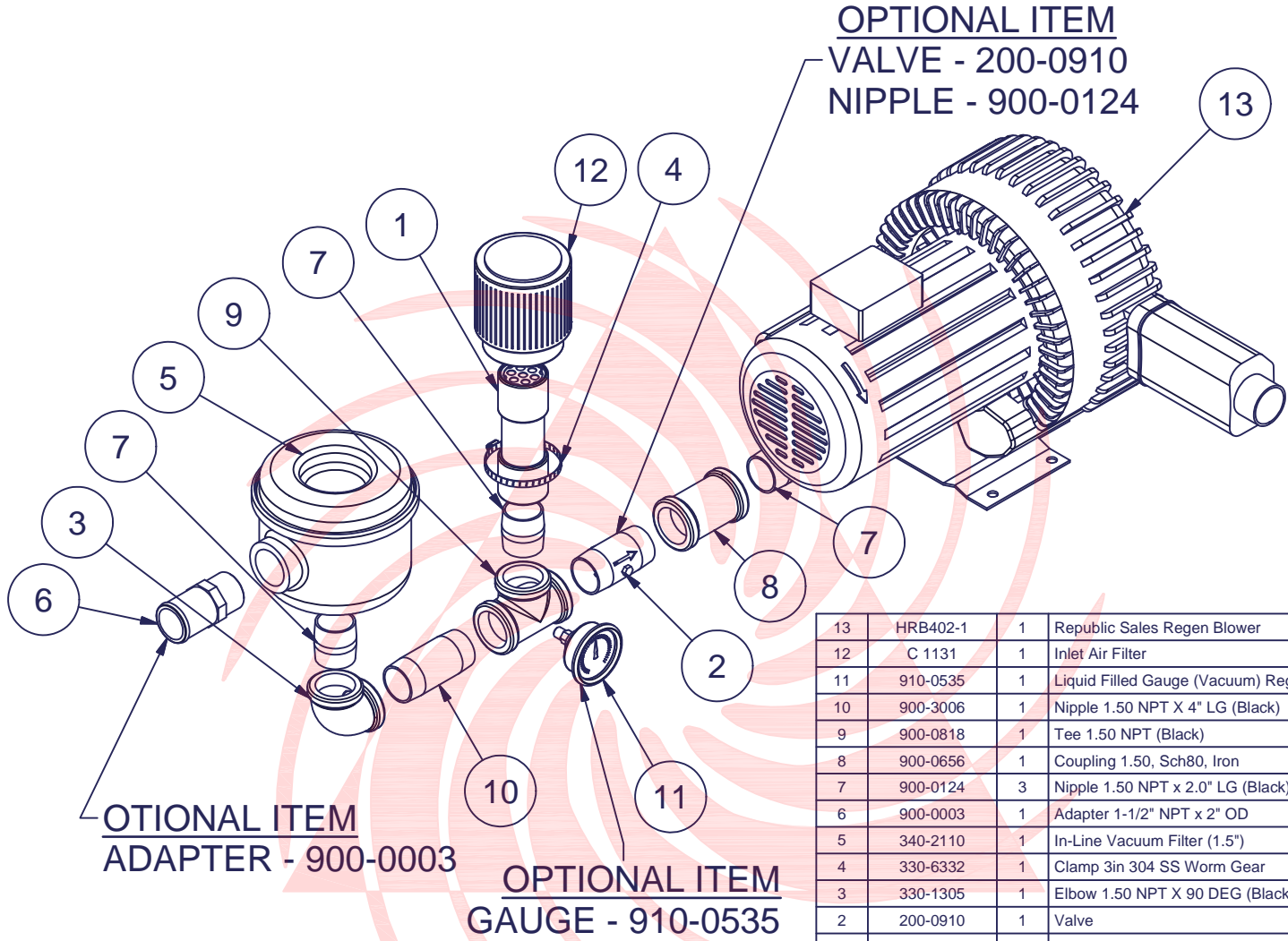




REPUBLIC  
Blower Systems®

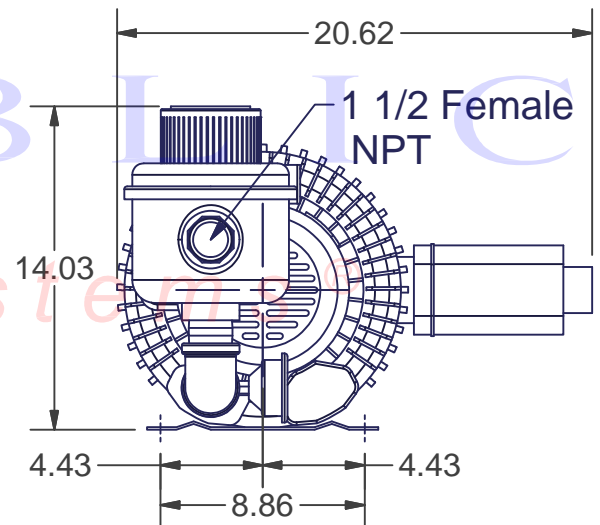
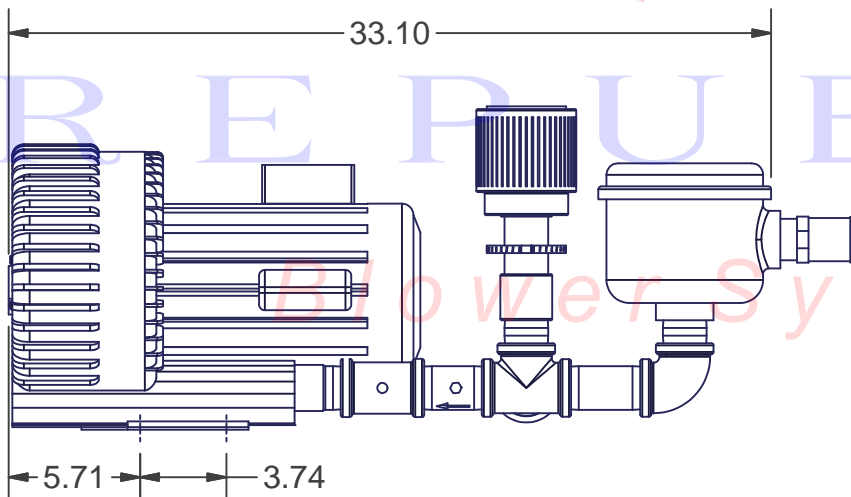


OPTIONAL ITEM  
ADAPTER - 900-0003

OPTIONAL ITEM  
GAUGE - 910-0535

OPTIONAL ITEM  
VALVE - 200-0910  
NIPPLE - 900-0124

13	HRB402-1	1	Republic Sales Regen Blower
12	C 1131	1	Inlet Air Filter
11	910-0535	1	Liquid Filled Gauge (Vacuum) Regens
10	900-3006	1	Nipple 1.50 NPT X 4" LG (Black)
9	900-0818	1	Tee 1.50 NPT (Black)
8	900-0656	1	Coupling 1.50, Sch80, Iron
7	900-0124	3	Nipple 1.50 NPT x 2.0" LG (Black)
6	900-0003	1	Adapter 1-1/2" NPT x 2" OD
5	340-2110	1	In-Line Vacuum Filter (1.5")
4	330-6332	1	Clamp 3in 304 SS Worm Gear
3	330-1305	1	Elbow 1.50 NPT X 90 DEG (Black)
2	200-0910	1	Valve
1	200-0510	1	1-1/2" Vacuum Relief Valve
ITEM	PART NUMBER	QTY	DESCRIPTION
Bill of Materials			



Approx Weight \_\_\_\_\_

Kit Vacuum Pump 1 1/2" NPT

KVHRB402-1