

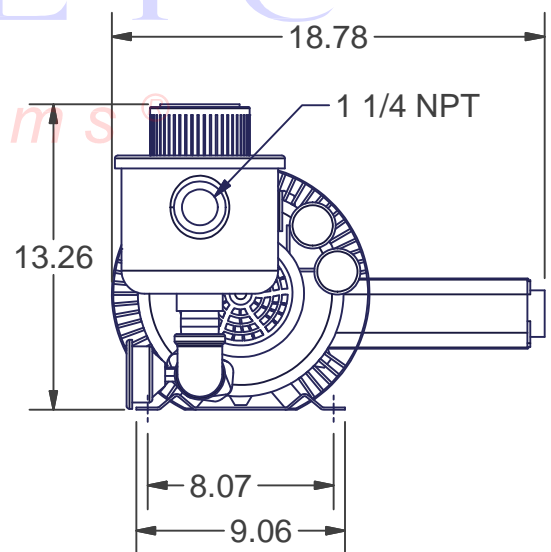
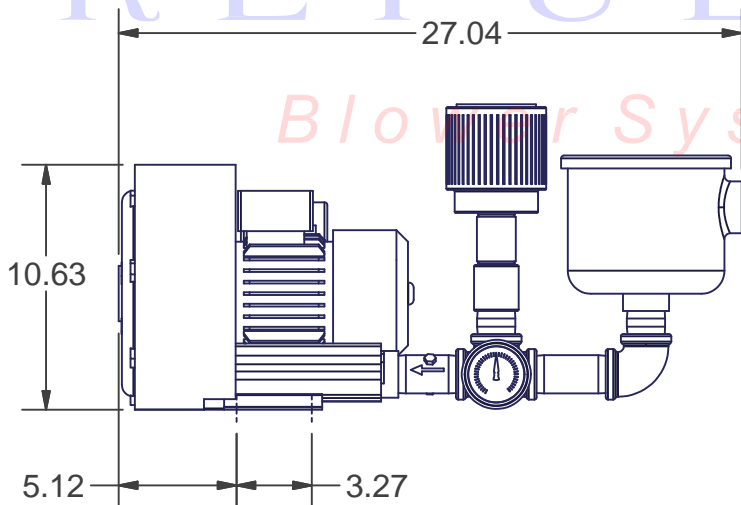
OPTIONAL ITEM
ADAPTER - 900-0010

OPTIONAL ITEM
GAUGE - 910-0535

OPTIONAL ITEM
VALVE - 200-0900
NIPPLE - 910-0136

12	HRB202	1	Republic Sales Regen Blower
11	C 1131	1	Inlet Air Filter
10	910-0535	1	Liquid Filled Gauge (Vacuum) Regens
9	910-0390	1	Nipple 1.25 NPT X 4" LG (Black)
8	910-0136	2	Nipple 1.25 NPT X 2" LG (Black)
7	900-0815	1	Tee 1.25 NPT (Black)
6	900-0660	1	Elbow 1.25 NPT X 90 DEG (Black)
5	900-0010	1	Tube Adapter 1 1/4 NPT - 2" Dia Hose
4	340-2105	1	In-Line Vacuum Filter (1.25")
3	330-6332	1	Clamp 3in 304 SS Worm Gear
2	200-0900	1	Valve
1	200-0525	1	1-1/4" Relief Valve
ITEM	PART NUMBER	QTY	DESCRIPTION

Bill of Materials



Approx Weight _____

Kit Vacuum Pump 1 1/4" Kit	KVHRB202
----------------------------	----------