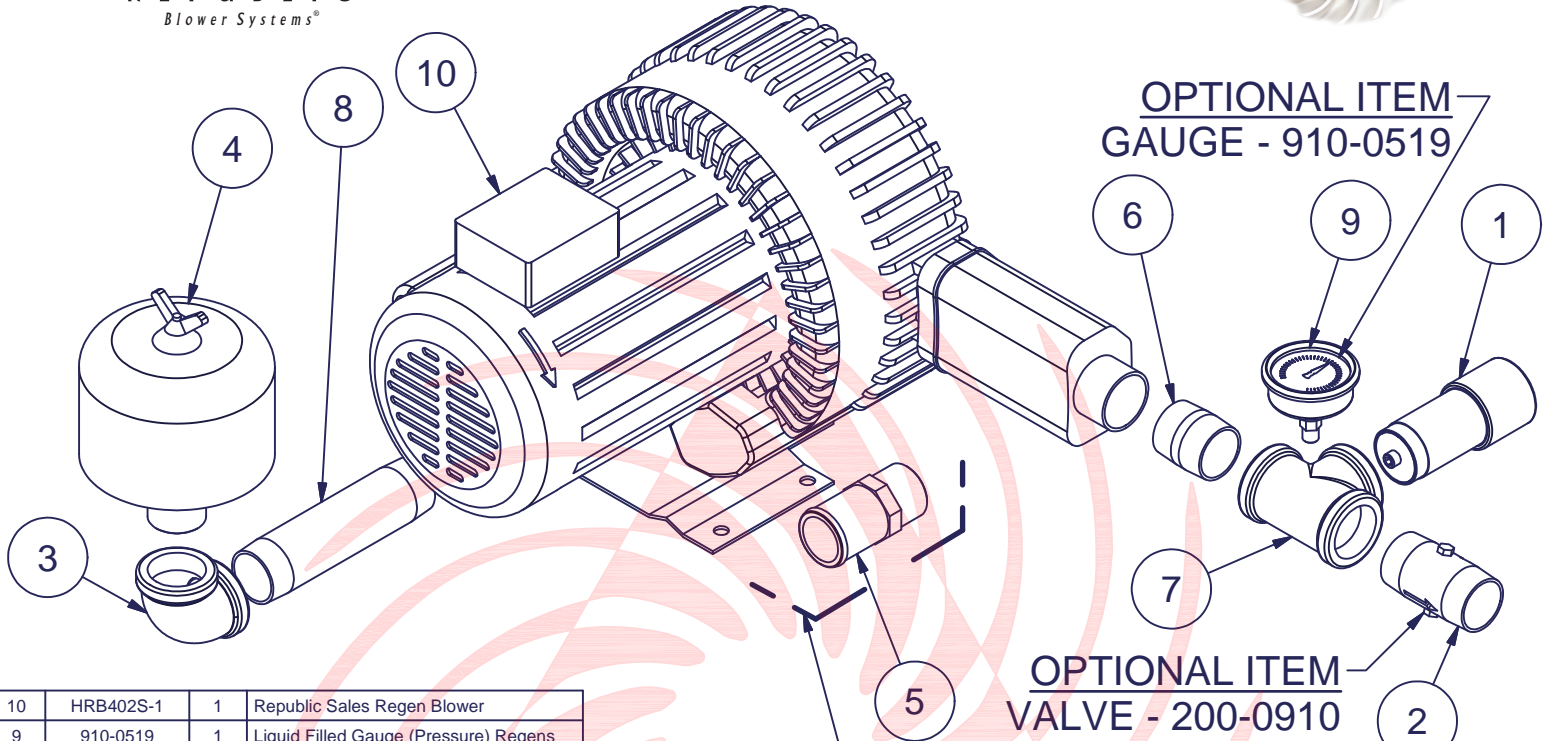




REPUBLIC  
Blower Systems®

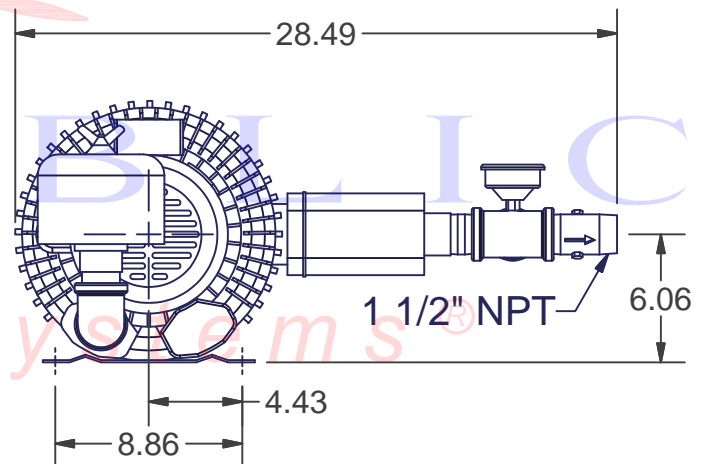
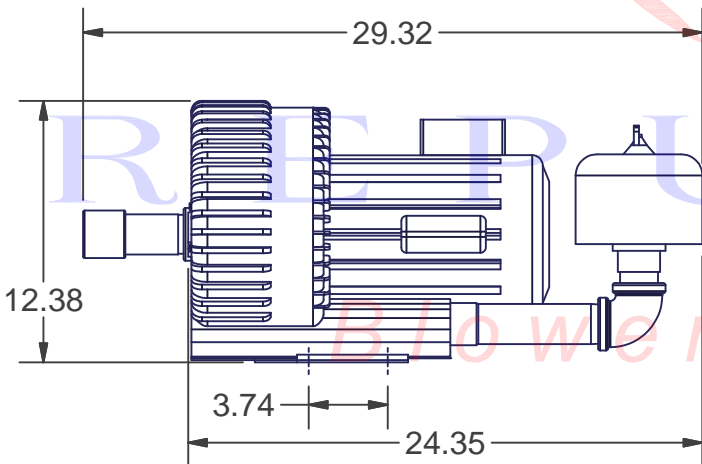


OPTIONAL ITEM  
GAUGE - 910-0519

OPTIONAL ITEM  
VALVE - 200-0910

OPTIONAL ITEM  
ADAPTER - 900-0003

10	HRB402S-1	1	Republic Sales Regen Blower
9	910-0519	1	Liquid Filled Gauge (Pressure) Regens
8	900-0912	1	Nipple 1.50 NPT X 7" LG (Black)
7	900-0818	1	Tee 1.50 NPT (Black)
6	900-0124	1	Nipple 1.50 NPT x 2.0" LG (Black)
5	900-0003	1	Adapter 1-1/2" NPT x 2" OD
4	340-2210	1	Filter for Pressure Blower
3	330-1305	1	Elbow 1 50 NPT X 90 DEG (Black)
2	200-0910	1	Valve
1	200-0510	1	1-1/2" Vacuum Relief Valve
ITEM	PART NUMBER	QTY	DESCRIPTION
Bill of Materials			



Approx Weight \_\_\_\_\_

Kit Pressure Pump 1 1/2" NPT

KPHRB402S-1