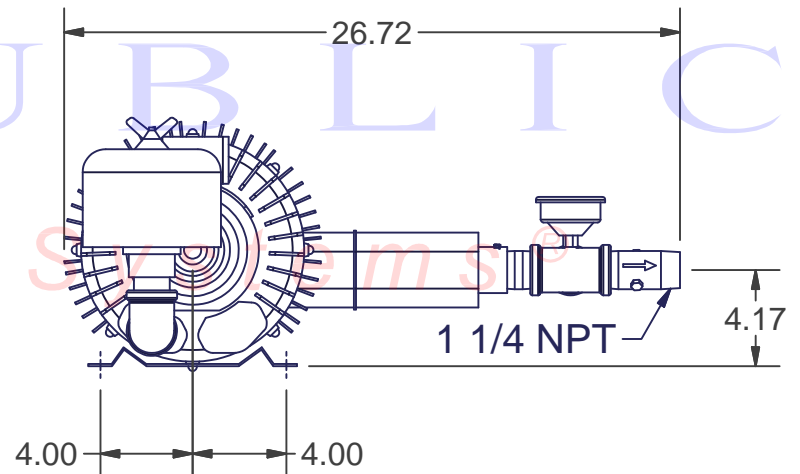
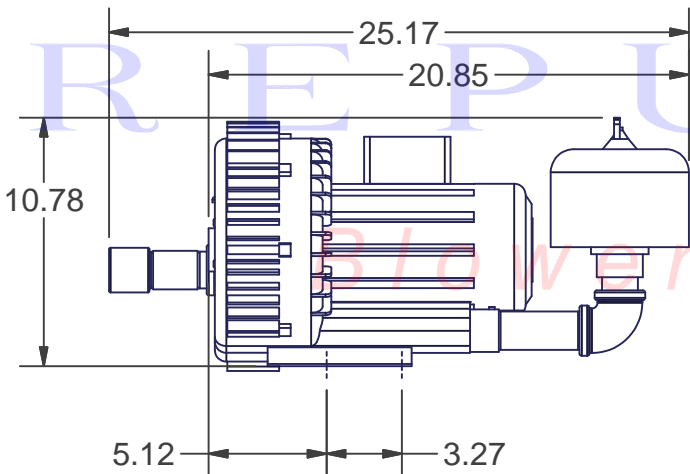


OPTIONAL ITEM  
GAUGE - 910-0519

OPTIONAL ITEM  
VALVE - 200-0900

OPTIONAL ITEM  
ADAPTER - 900-0010

10	HRB302-1	1	Republic Sales Regen Blower
9	910-0519	1	Liquid Filled Gauge (Pressure) Regens
8	910-0391	1	Nipple 1.25 NPT X 5" LG (Black)
7	910-0136	1	Nipple 1.25 NPT X 2" LG (Black)
6	900-0815	1	Tee 1.25 NPT (Black)
5	900-0660	1	Elbow 1 25 NPT X 90 DEG (Black)
4	900-0010	1	Tube Adapter 1 1/4 NPT - 2" Dia Hose
3	340-2205	1	Filter for Pressure Blower
2	200-0900	1	Valve
1	200-0525	1	1-1/4" Relief Valve
ITEM	PART NUMBER	QTY	DESCRIPTION
Bill of Materials			



Approx Weight \_\_\_\_\_

Kit Pressure Pump 1 1/4" NPT

KPHRB302-1