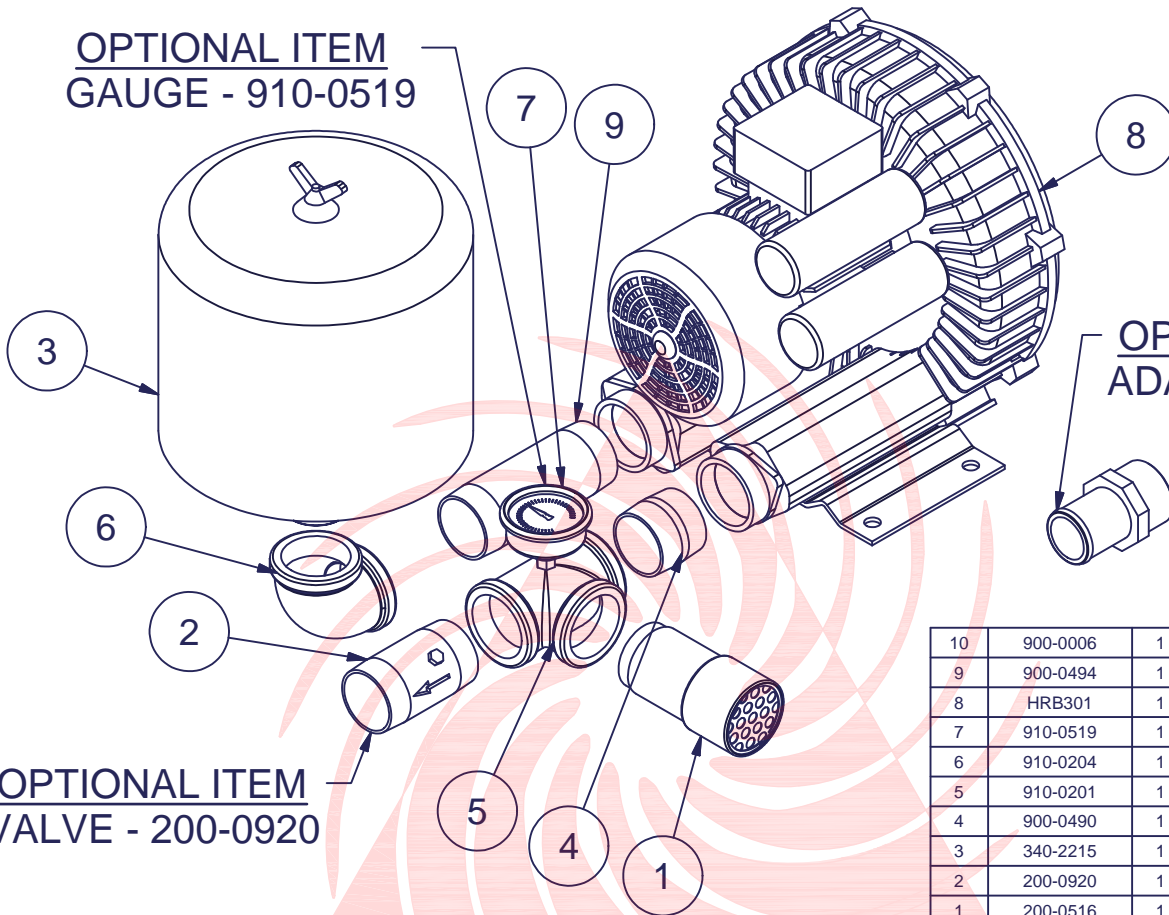




REPUBLIC  
Blower Systems®

OPTIONAL ITEM  
GAUGE - 910-0519

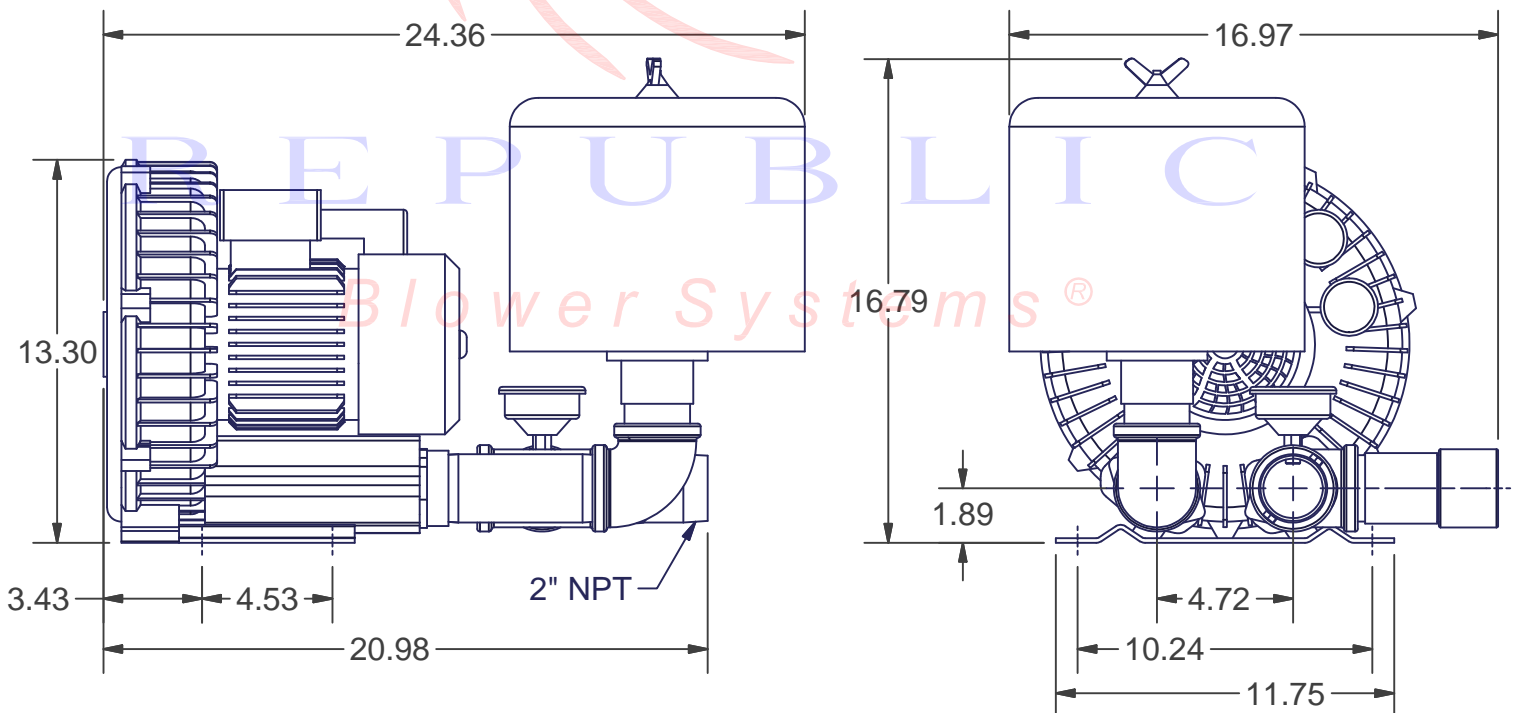


OPTIONAL ITEMS  
ADAPTER - 900-0006

OPTIONAL ITEM  
VALVE - 200-0920

| 10   | 900-0006    | 1   | Adapter 2" NPT x 2" OD                |
|------|-------------|-----|---------------------------------------|
| 9    | 900-0494    | 1   | Nipple 2" NPT x 6" Lg.                |
| 8    | HRB301      | 1   | Republic Sales Regen Blower           |
| 7    | 910-0519    | 1   | Liquid Filled Gauge (Pressure) Regens |
| 6    | 910-0204    | 1   | Elbow 2.0 NPT X 90 DEG (Black)        |
| 5    | 910-0201    | 1   | Tee 2.0 NPT (Black)                   |
| 4    | 900-0490    | 1   | Nipple 2" NPT x 2" LG (Black)         |
| 3    | 340-2215    | 1   | Filter for Pressure Blower            |
| 2    | 200-0920    | 1   | Valve                                 |
| 1    | 200-0516    | 1   | 2" Vacuum Relief Valve                |
| ITEM | PART NUMBER | QTY | DESCRIPTION                           |

Bill of Materials



Approx Weight \_\_\_\_\_

Kit Pressure 2" NPT

KPHRB301