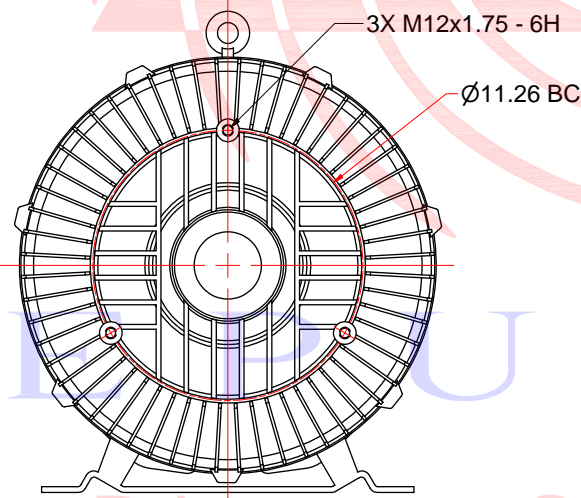
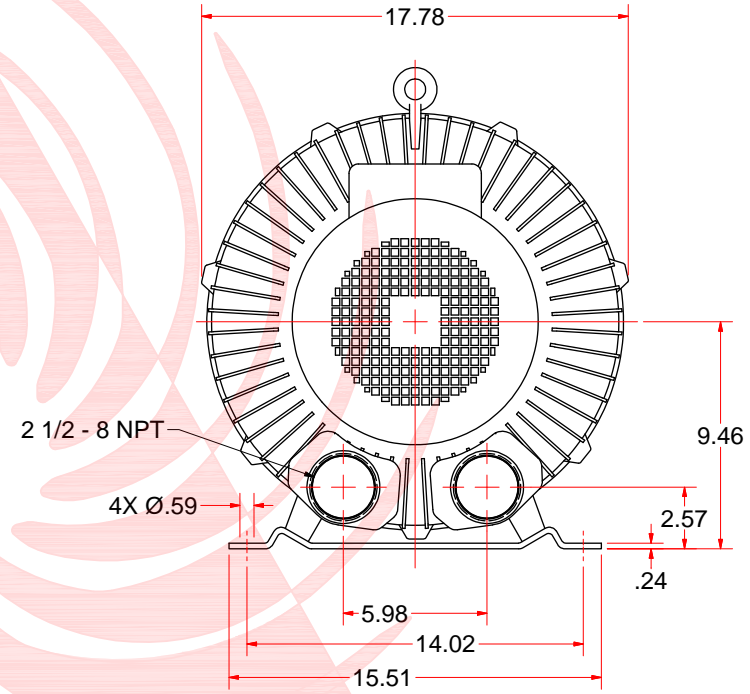
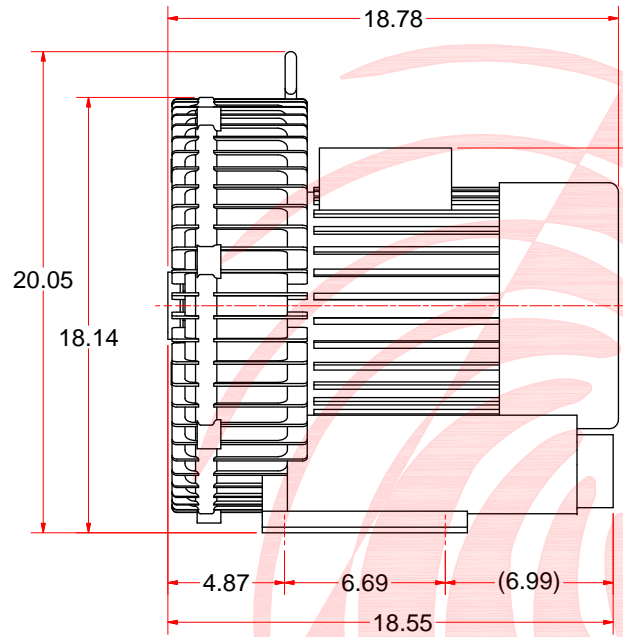


ECR#		REV	DESCR PTIONS	DATE	REV BY	ZONE



REPUBLIC

Blower Systems®

UNLESS OTHERWISE SPECIFIED ALL DIMENSIONS ARE IN INCHES		DRAWN R Tandy	3/3/2011	Republic Sales & Mfg. www.republicsales.com	
TOLERANCES: DECIMALS: .005 FRACT ONS: 1/32 ANGLES: ± 0.30		ROUTING		TITLE	
BROKE ALL SHARP EDGES MACHINE SURFACE FINISH N RMS 125		QA		Republic Sales Regen Blower	
NOTICE PROPERTY RIGHTS INVOLVED THIS DOCUMENT AND ALL ACCOMPANYING INFORMATION AND DATA ARE AND REMAIN THE PROPERTY OF REPUBLIC SALES & MFG. AND ARE NOT TO BE COPIED, REPRODUCED, REPRODUCED, NOR TRANSMITTED OR DISCLOSED TO OTHERS WITHOUT EXPRESS WRITTEN PERMISSION AND ARE TO BE RETURNED UPON REQUEST. THEREFORE, ALL RIGHTS IN PROPERTY AND NOVEL FEATURES OF THE SUBJECT MATTER ARE EXPRESSLY RESERVED BY REPUBLIC SALES & MFG. RECIP ENTS AGREEMENT TO THE FOREGOING IS INDICATED BY ACCEPTANCE OF THIS DOCUMENT.		MFG		SIZE C	DWG NO HRB800
		APPROVED		SCALE	REV
		MATERIAL		SHEET 1 OF 1	
		FINISH			