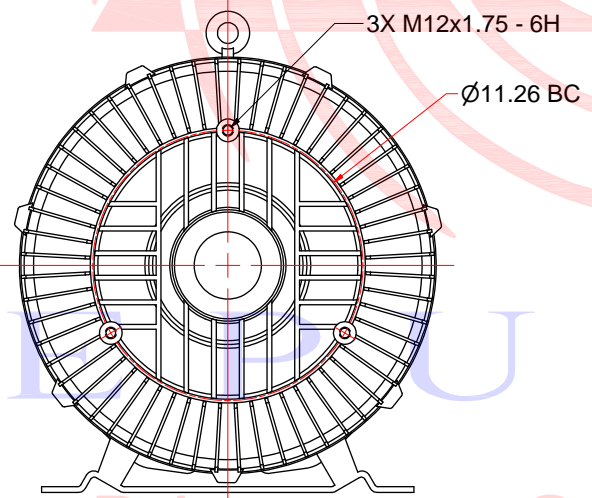
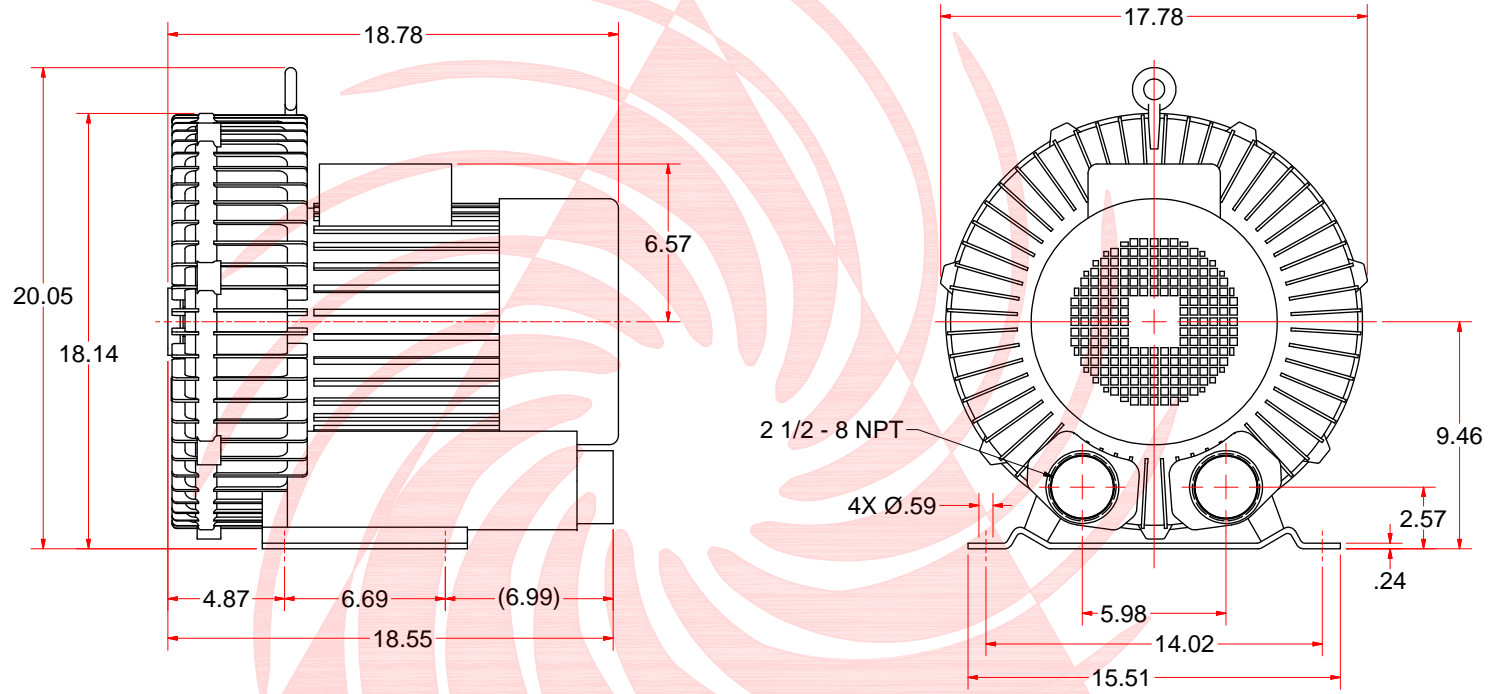


ECR#		REV	DESCR PTIONS	DATE	REV BY	ZONE



REPUBLIC

Blower Systems®

UNLESS OTHERWISE SPECIFIED ALL DIMENSIONS ARE IN INCHES DECIMALS: XXX ± .005 FRACT ONS: XX ± .010 ANGLES: ± 1.32 ± 0.30 BREAK ALL SHARP EDGES MACHINE SURFACE FINISH N <sub>A</sub> RMS 125 <b>NOTICE</b> PROPRIETY RIGHTS INVOLVED THIS DOCUMENT AND ALL ACCOMPANYING INFORMATION AND DATA ARE AND REMAIN THE PROPERTY OF REPUBLIC SALES & MFG. AND ARE NOT TO BE COPIED, REPRODUCED, REPRODUCED, NOR TRANSMITTED OR DISCLOSED TO OTHERS WITHOUT EXPRESS WRITTEN PERMISSION AND ARE TO BE RETURNED UPON REQUEST. THEREFORE, ALL RIGHTS IN PROPRIETY AND NOVEL FEATURES OF THE SUBJECT MATTER ARE EXPRESSLY RESERVED BY REPUBLIC SALES & MFG. RECIP ENTS AGREEMENT TO THE FOREGOING IS INDICATED BY ACCEPTANCE OF THIS DOCUMENT.	DRAWN R Tandy	3/3/2011	Republic Sales & Mfg. www.republicsales.com
	ROUTING		TITLE
	QA		Republic Sales Regen Blower
	MFG		SIZE DWG NO
APPROVED		C	HRB750
MATERIAL		SCALE	SHEET 1 OF 1
FINISH			REV