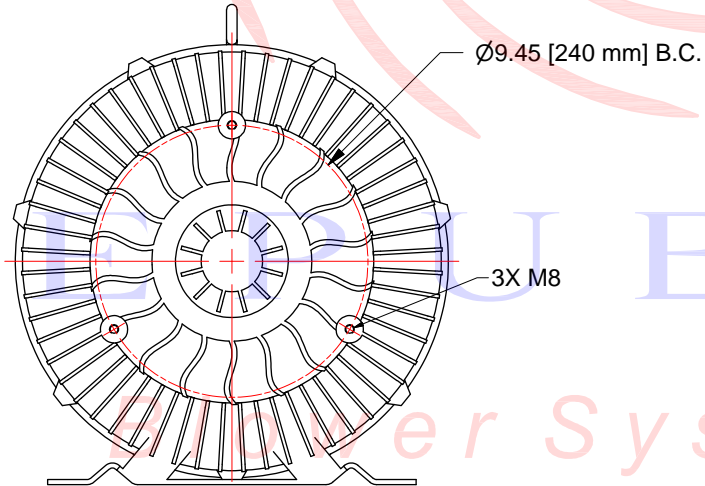
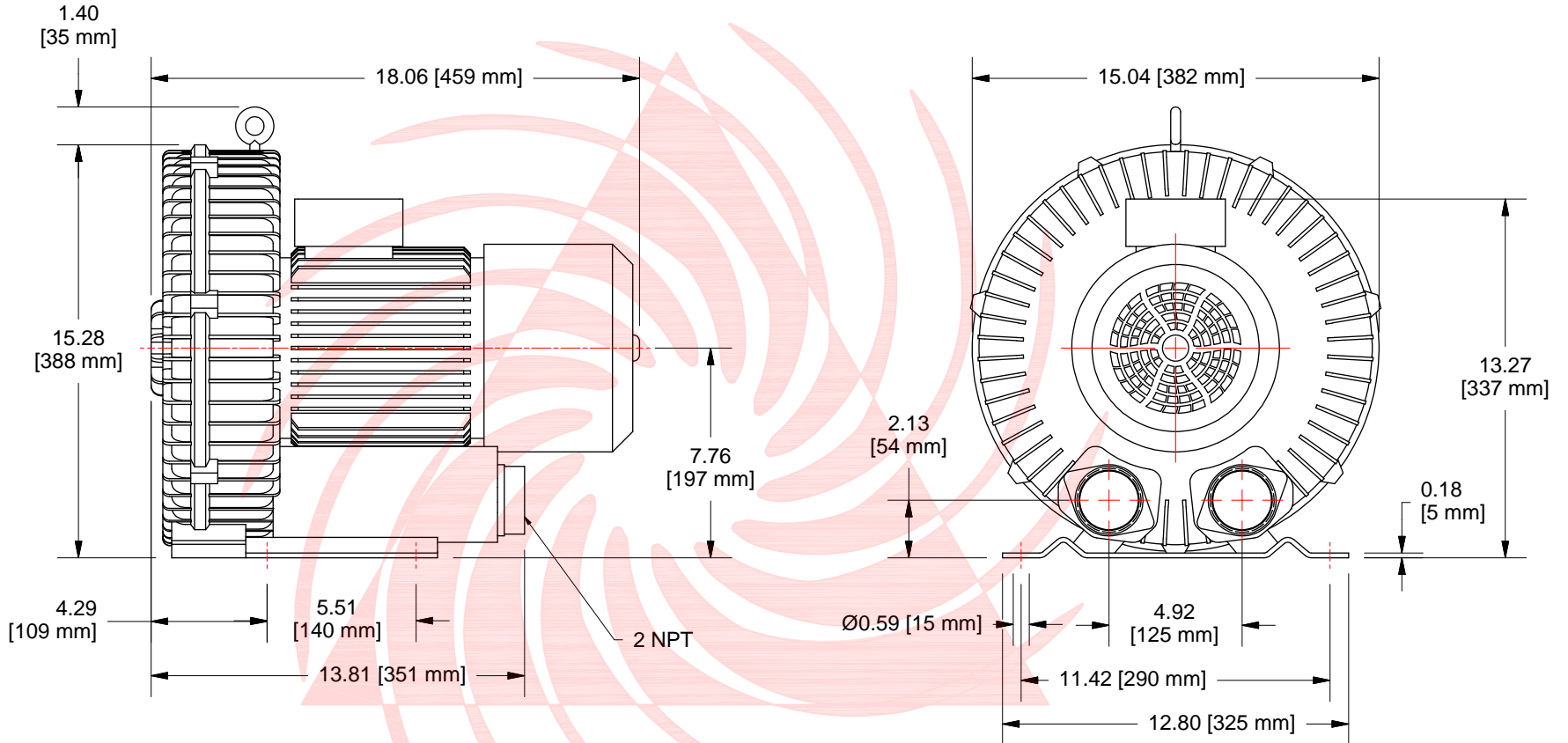


REVISIONS		DATE	REV BY	ZONE
ECR#	REV	DESCR PTIONS		



UNLESS OTHERWISE SPECIFIED ALL DIMENSIONS ARE IN INCHES "TOLERANCES"		DRAWN R Tandy	1/16/2012	Republic Sales & Mfg. www.republicsales.com	
DECIMALS: XXX ± .005 XX ± .010	FRACT ONS: ± 1/32	ROUTING		TITLE	
ANGLES: ± 0° 30'		QA		Republic Sales Regen Blower	
BREAK ALL SHARP EDGES MACHINE SURFACE FINISH IN RMS 12.5		MFG		SIZE	DWG NO
NOTICE PROPRIETY RIGHTS INVOLVED THIS DOCUMENT AND ALL ACCOMPANYING INFORMATION AND DATA ARE AND REMAIN THE PROPERTY OF REPUBLIC SALES & MFG. AND ARE NOT TO BE COPIED, REPRODUCED, TRANSMITTED OR DISCLOSED TO OTHERS WITHOUT EXPRESS WRITTEN PERMISSION AND ARE TO BE RETURNED UPON REQUEST. THEREFORE, ALL RIGHTS IN PROPRIETY AND NOVEL FEATURES OF THE SUBJECT MATTER ARE EXPRESSLY RESERVED BY REPUBLIC SALES & MFG. RECIP ENTS AGREEMENT TO THE FOREGOING IS INDICATED BY ACCEPTANCE OF THIS DOCUMENT		APPROVED		C	HRB700
		MATERIAL		SCALE	REV
		FINISH		SHEET 1 OF 1	1