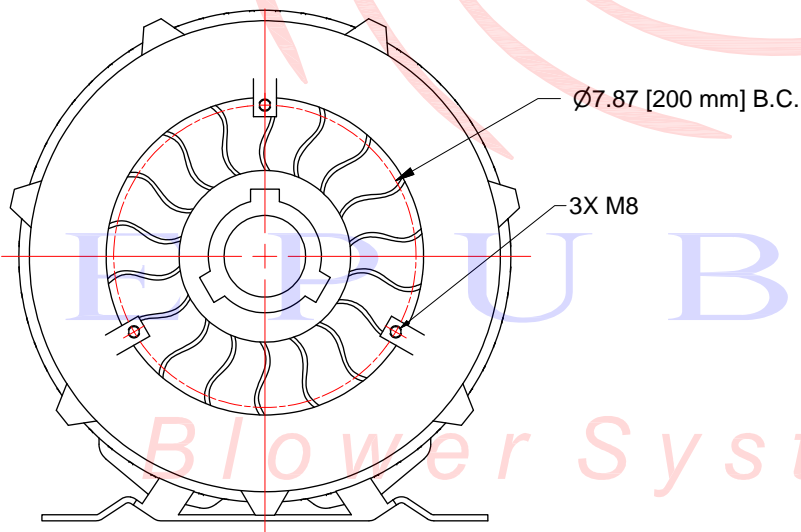
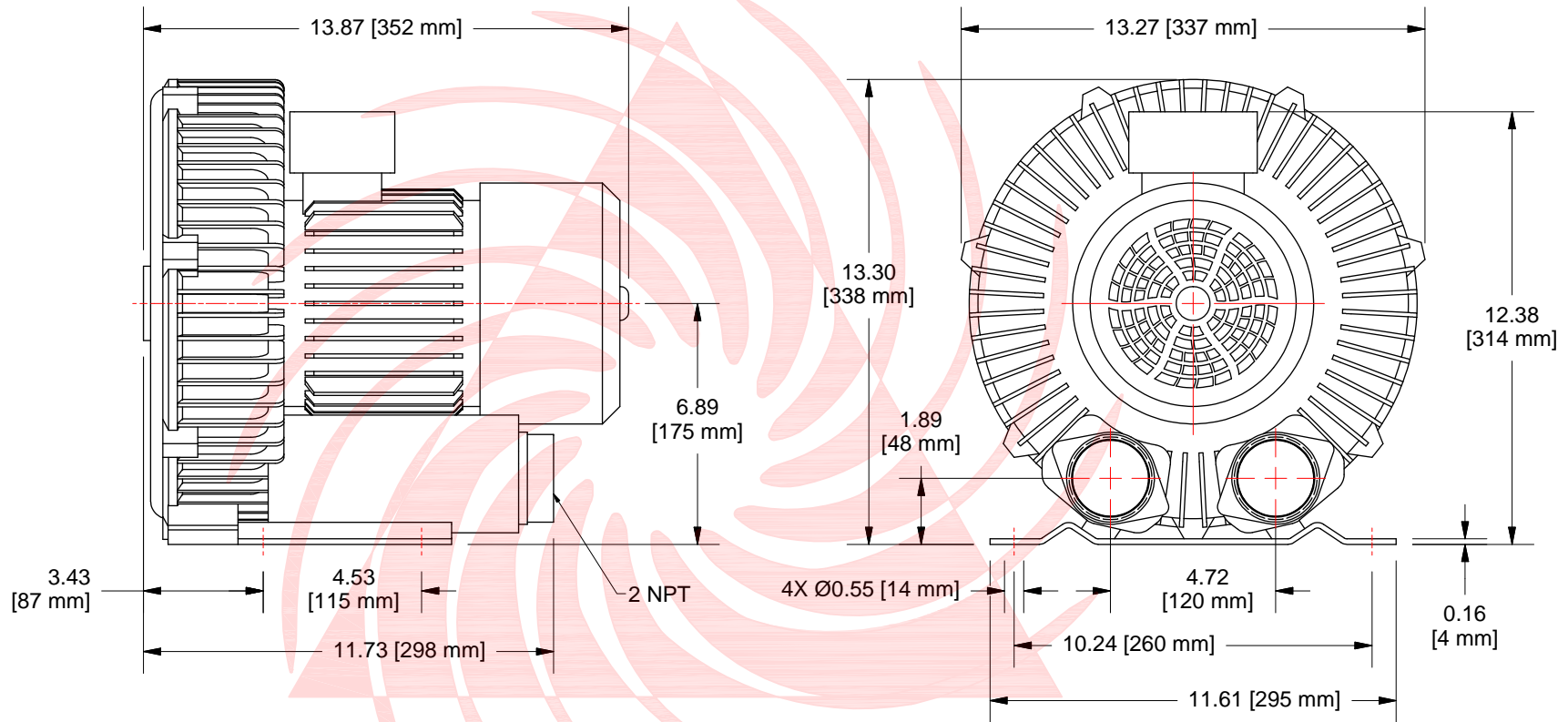


REVISIONS		DATE	REV BY	ZONE
ECR#	REV	DESCR PTIONS		



UNLESS OTHERWISE SPECIFIED		DRAWN	1/16/2012	Republic Sales & Mfg.	
ALL DIMENSIONS ARE IN INCHES		R Tandy		www.republicsales.com	
DECIMALS: .005		ROUTING		TITLE	
FRACT ONS: 1/32		QA		Republic Sales Regen Blower	
ANGLES: 90		MFG		SIZE	DWG NO
XX ± .010		APPROVED		C	HRB400
BREAK ALL SHARP EDGES		MATERIAL		SCALE	SHEET 1 OF 1
MACHINE SURFACE FINISH IN RMS		FINISH			
125					
NOTICE					
PROPERTY RIGHTS INVOLVED					
THIS DOCUMENT AND ALL INFORMATION AND DATA ARE AND REMAIN THE PROPERTY OF REPUBLIC SALES & MFG. AND ARE NOT TO BE COPIED, REPRODUCED, TRANSMITTED OR DISCLOSED TO OTHERS WITHOUT EXPRESS WRITTEN PERMISSION AND ARE TO BE RETURNED UPON REQUEST. THEREFORE, ALL RIGHTS IN PROPERTY AND NOVEL FEATURES OF THE SUBJECT MATTER ARE EXPRESSLY RESERVED BY REPUBLIC SALES & MFG. RECIP ENTS AGREEMENT TO THE FOREGOING IS INDICATED BY ACCEPTANCE OF THIS DOCUMENT					