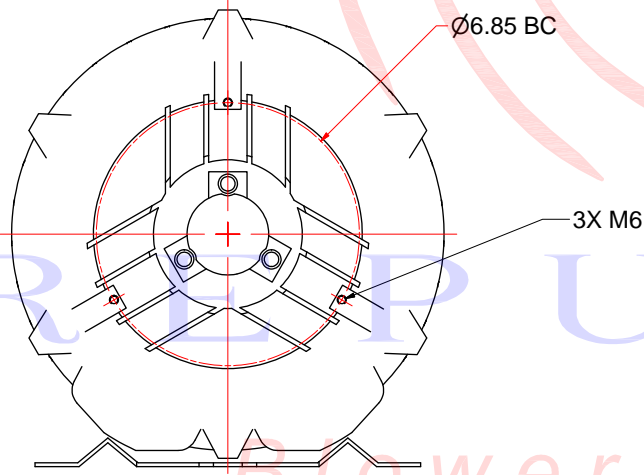
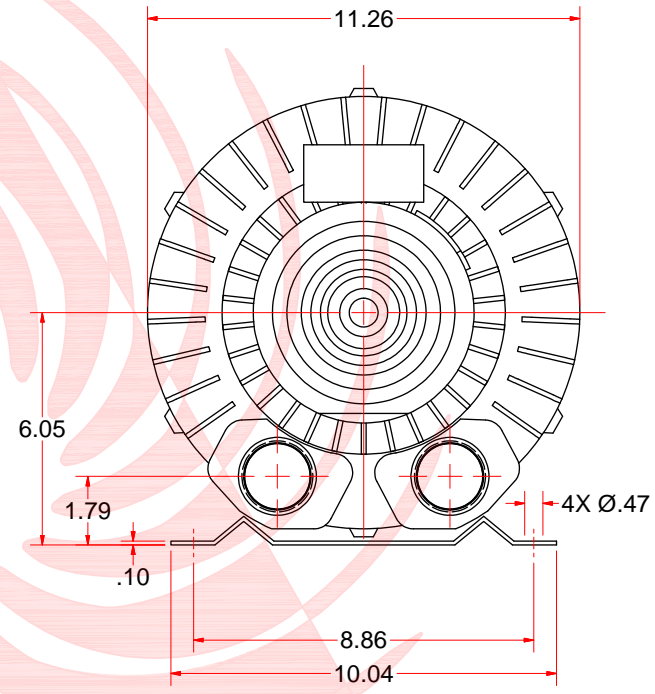
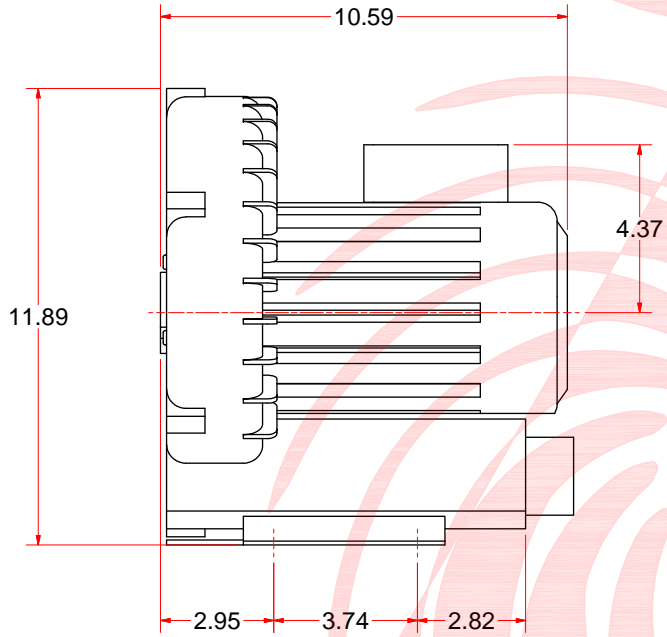


ECR#		REV	DESCR PTIONS	DATE	REV BY	ZONE



<p>UNLESS OTHERWISE SPECIFIED ALL DIMENSIONS ARE IN INCHES</p> <p>DECIMALS: .005 FRACT ONS: 1/32 ANGLES: ±0.30</p> <p>BREAK ALL SHARP EDGES MACHINE SURFACE FINISH N° RMS 12.5</p> <p><b>NOTICE</b> PROPRIETY RIGHTS INVOLVED THIS DOCUMENT AND ALL ACCOMPANYING INFORMATION AND DATA ARE AND REMAIN THE PROPERTY OF REPUBLIC SALES &amp; MFG. AND ARE NOT TO BE COPIED, REPRODUCED, REPRODUCED, TRANSMITTED OR DISCLOSED TO OTHERS WITHOUT EXPRESS WRITTEN PERMISSION AND ARE TO BE RETURNED UPON REQUEST. THEREFORE, ALL RIGHTS IN PROPRIETY AND NOVEL FEATURES OF THE SUBJECT MATTER ARE EXPRESSLY RESERVED BY REPUBLIC SALES &amp; MFG. RECIP ENTS AGREEMENT TO THE FOREGOING IS INDICATED BY ACCEPTANCE OF THIS DOCUMENT.</p>	<p>DRAWN N Torres</p> <p>ROUTING</p> <p>QA</p> <p>MFG</p> <p>APPROVED</p> <p>MATERIAL</p> <p>FINISH</p>	<p>3/17/2011</p>	<p>Republic Sales &amp; Mfg. www.republicsales.com</p> <p>TITLE Republic Sales Regen Blower</p> <p>SIZE DWG NO C HRB200</p> <p>SCALE SHEET 1 OF 1</p>