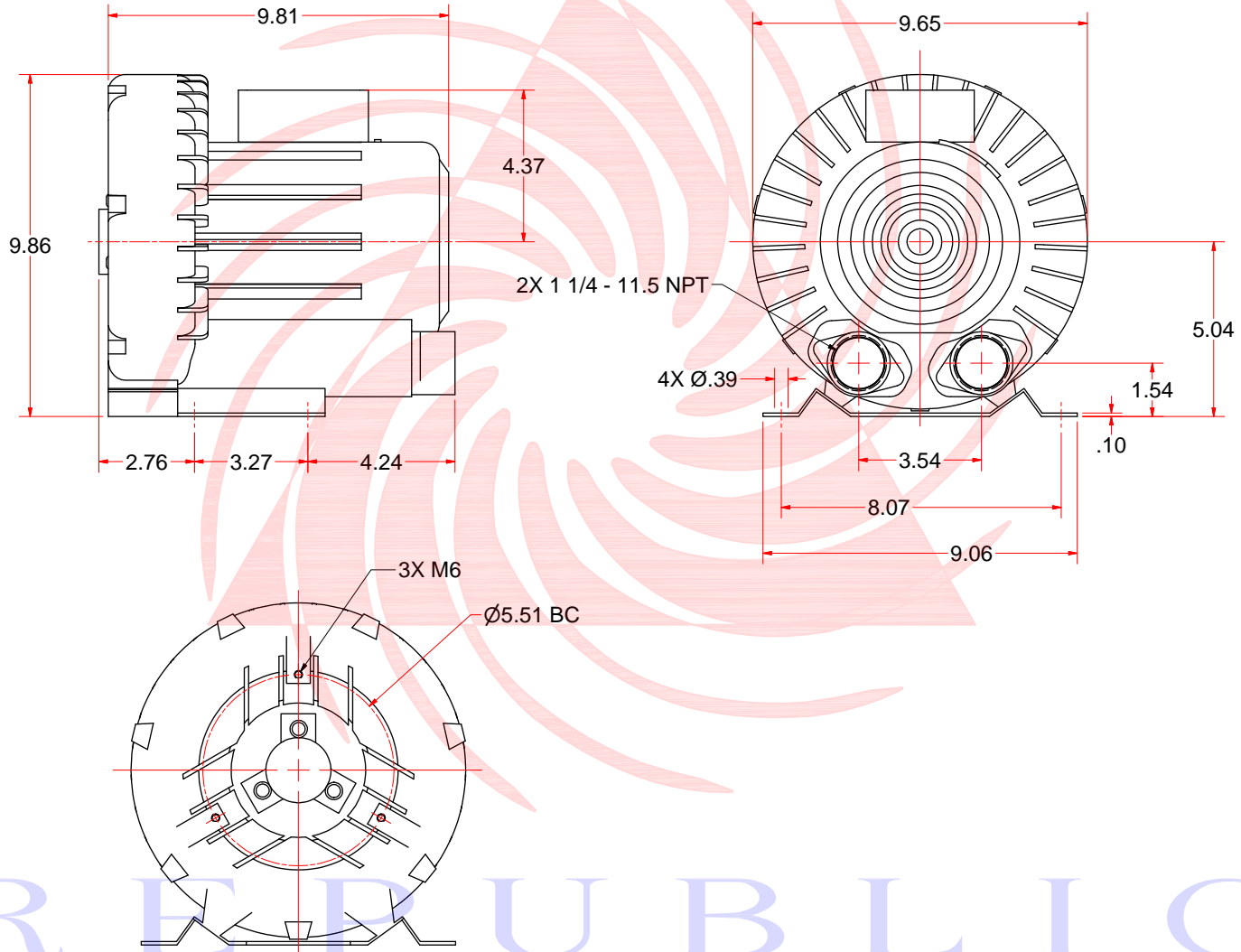


ECR#		REV	DESCR PTIONS	DATE	REV BY	ZONE



REPUBLIC

Blower Systems®

UNLESS OTHERWISE SPECIFIED ALL DIMENSIONS ARE IN INCHES "TOLERANCES" DECIMALS: .005 FRACT ONS: 1/32 ANGLES: ±0.30 XX ±.010 BREAK ALL SHARP EDGES MACHINE SURFACE FINISH N RMS 12.5 NOTICE PROPRIETY RIGHTS INVOLVED THIS DOCUMENT AND ALL ACCOMPANYING INFORMATION AND DATA ARE AND REMAIN THE PROPERTY OF REPUBLIC SALES & MFG. AND ARE NOT TO BE COPIED, REPRODUCED, REPRODUCED, TRANSMITTED OR DISCLOSED TO OTHERS WITHOUT EXPRESS WRITTEN PERMISSION AND ARE TO BE RETURNED UPON REQUEST. THEREFORE, ALL RIGHTS IN PROPERTY AND NOVEL FEATURES OF THE SUBJECT MATTER ARE EXPRESSLY RESERVED BY REPUBLIC SALES & MFG. RECIP ENTS AGREEMENT TO THE FOREGOING IS INDICATED BY ACCEPTANCE OF THIS DOCUMENT.	DRAWN N Torres 3/31/2011	Republic Sales & Mfg. www.republicsales.com	
	ROUTING	TITLE Republic Sales Regen Blower	
	QA MFG APPROVED	SIZE C	DWG NO HRB100
	MATERIAL FINISH	SCALE	REV SHEET 1 OF 1