

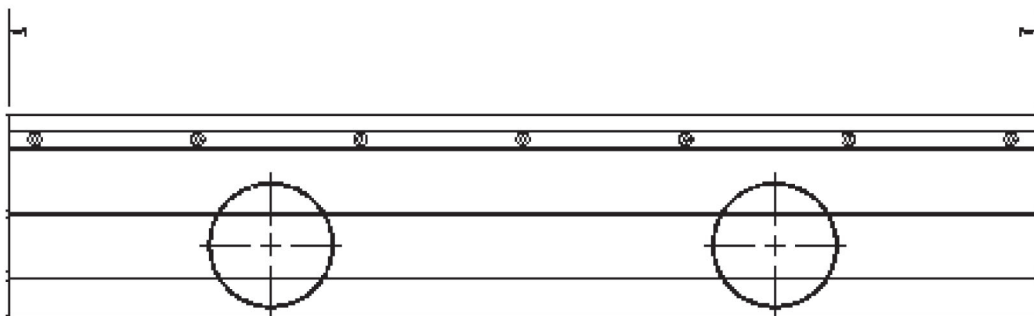
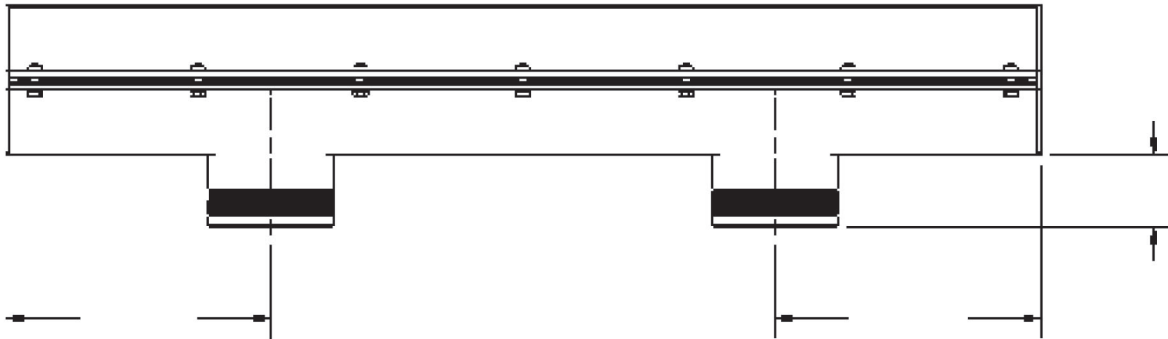
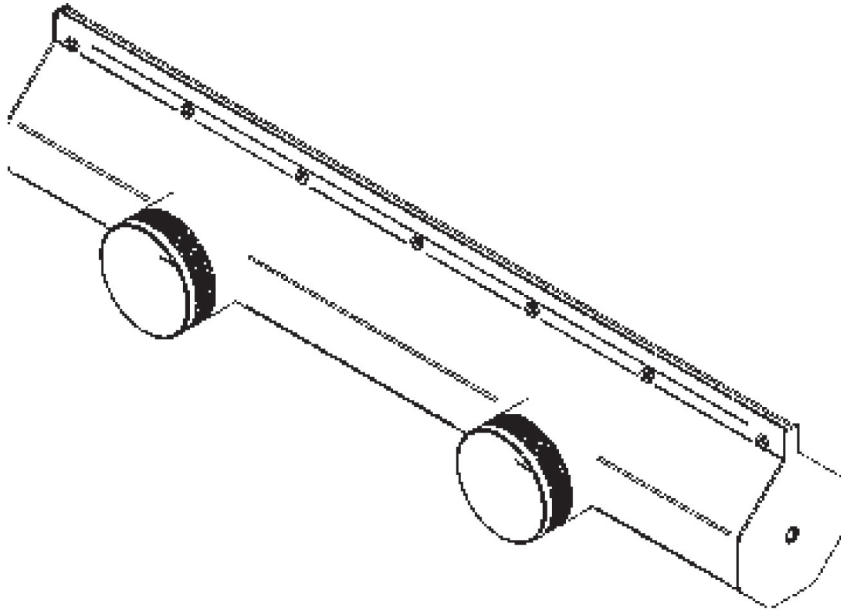


Dual Side Inlet Air Knife

Part No. _____ Description _____

Sales Order No. _____

- | | | | | |
|-----------|------------------------------|--------------------------|--------|--------------------------|
| Material: | Aluminum Clear Anodized (CL) | <input type="checkbox"/> | OD: 2" | <input type="checkbox"/> |
| | Stainless Steel (SS) | <input type="checkbox"/> | 3" | <input type="checkbox"/> |
| | Nickel Plated (N) | <input type="checkbox"/> | 4" | <input type="checkbox"/> |



Customer Approval _____ Date _____