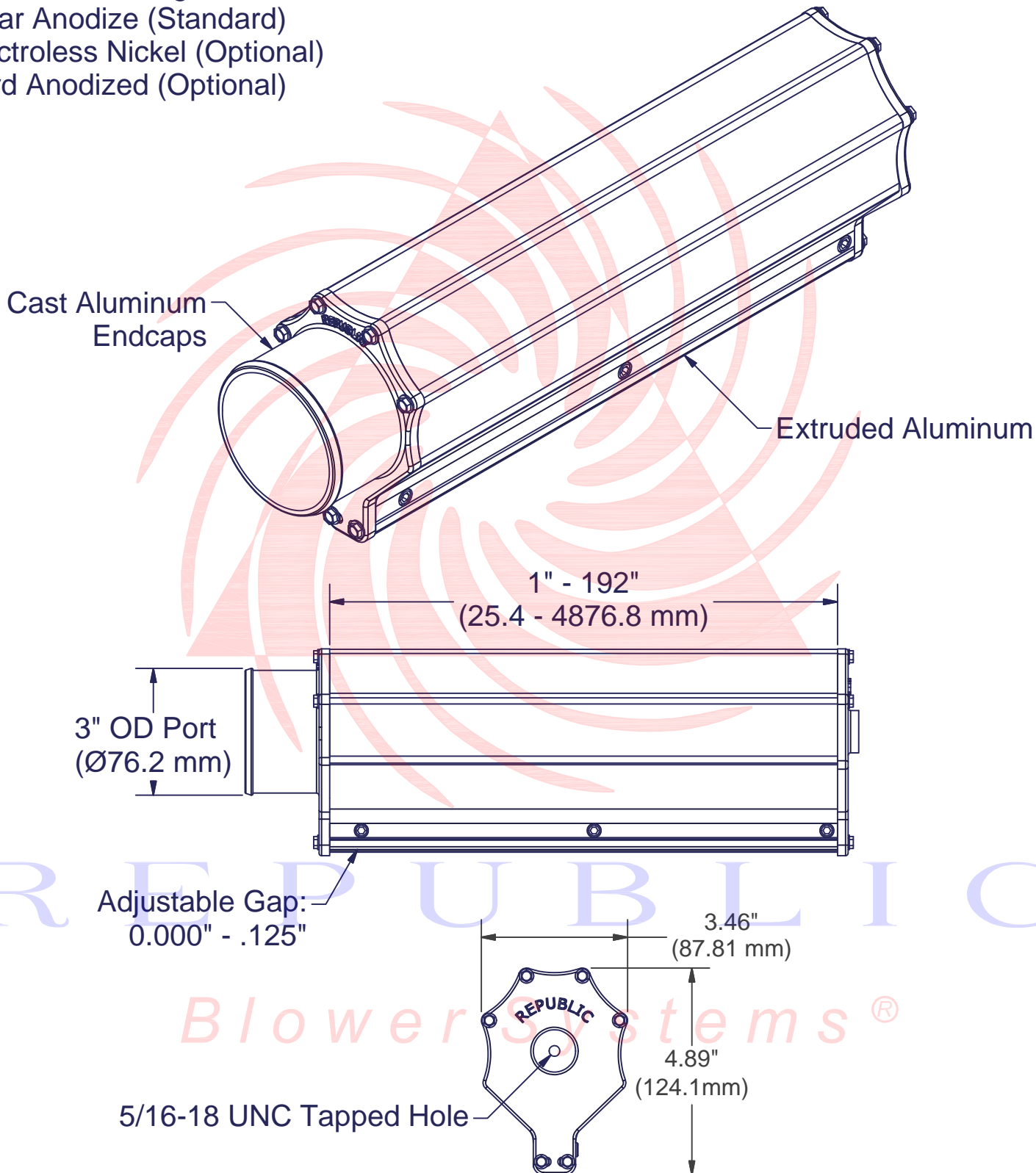




Note Airknife Plating:

1. Clear Anodize (Standard)
2. Electroless Nickel (Optional)
3. Hard Anodized (Optional)



Republic Air Knife Assembly	3" AK Assembly
-----------------------------	----------------