

**Europiclón 700 and 800**  
**For air flows up to 28 m<sup>3</sup>/min**



# Europiclon ...

## Applications

Europiclon 700 and 800 is the ideal intake air cleaner for big construction and agricultural machinery, compressors, stationary installations, marine engines, etc.

## Design

Europiclon is a flexible modular system: Different housing models and dust discharge devices can be combined with a large variety of system components; thus, any requirement as regards the integration of the Europiclon in existing or planned installations can be fulfilled.

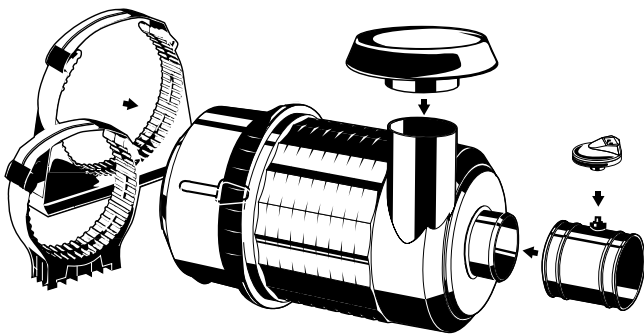


## Fields of application

Enhanced by the new Europiclon 700 and 800, the air cleaner line is now consisting of 8 models with nominal flow rates up to 28 m<sup>3</sup>/min. Both sizes are suitable for horizontal installation. You'll find more information about the Europiclon 100 to 600 in our air cleaner catalogue 19 941 10 101.

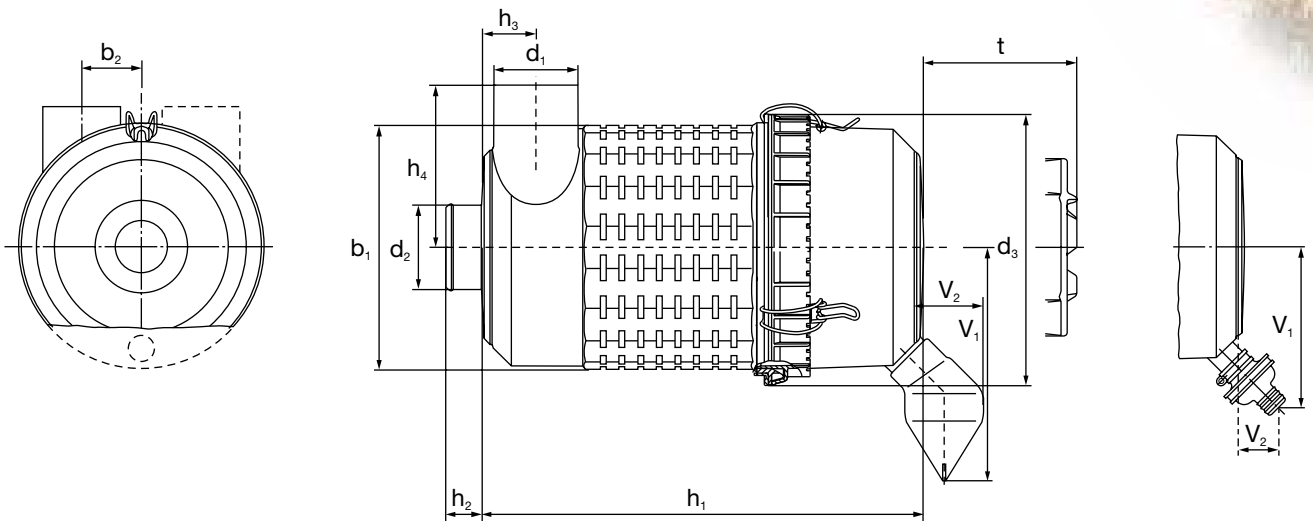
## Benefits of Europiclon

- very economical
- corrosion-free
- simple recycling
- flexible integration in existing installations even with restricted conditions
- complete range of system components
- air filter element protected by patent
- system components and spare parts are available all over the world
- private-labelled filters on request
- simple maintenance without tools



*Europiclon with system components*

# ... the big sizes for high requirements



**Fig. 1**  
Mirror image version of air inlet  
on request

**1a**  
Dust discharge valve

**1b**  
Adapter for ejector  
extraction with integrated  
backpressure valve

Part No.		Fig.	Flow rate range [m³/min]	Air filter element		Weight approx. [kg]
without secondary element	with secondary element			micro-Top filter	secondary element	
45 700 92 940	45 700 92 941	1a	12 – 21	C 25 710	CF 710	6
45 700 92 970	45 700 92 971	1b				
45 800 92 940	45 800 92 941	1a	16 – 28	C 30 810	CF 810	9
45 800 92 970	45 800 92 971	1b				

Part No.		Fig.	Dimensions in mm												
without secondary element	with secondary element		b <sub>1</sub>	b <sub>2</sub>	d <sub>1</sub>	d <sub>2</sub>	d <sub>3</sub>	h <sub>1</sub>	h <sub>2</sub>	h <sub>3</sub>	h <sub>4</sub>	t	V <sub>1</sub>	V <sub>2</sub>	
45 700 92 940	45 700 92 941	1a	325	92	132	130	353	548	32	76	212	500	269	37	
45 700 92 970	45 700 92 971	1b											255	37	
45 800 92 940	45 800 92 941	1a	390	114	150	150	418	598	32	85	241	550	301	39	
45 800 92 970	45 800 92 971	1b											257	38	

Other dust-discharge variations upon request.

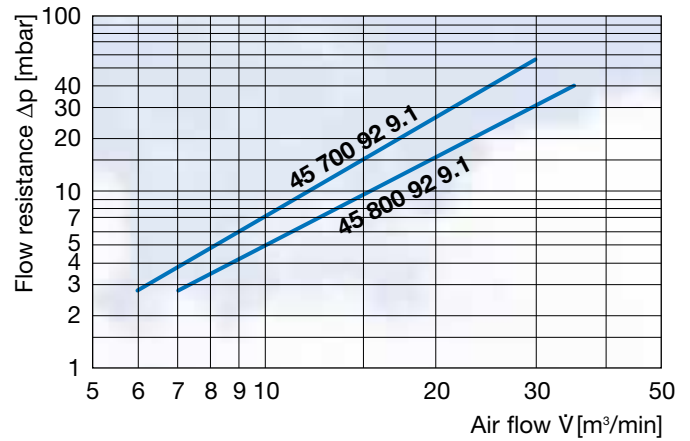
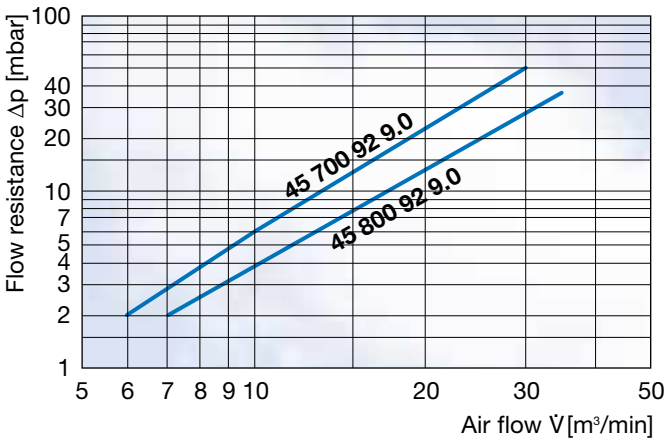
# Flow Characteristics for Europiclone 700 and 800

Without secondary element

With secondary element

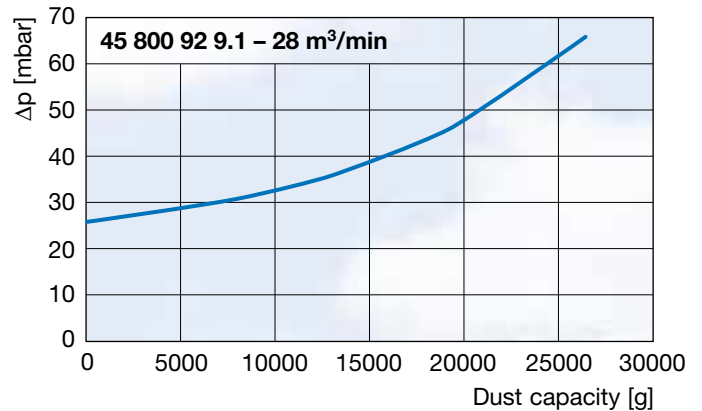
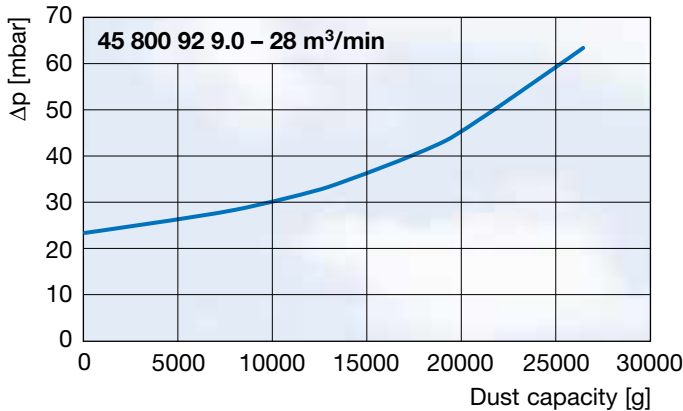
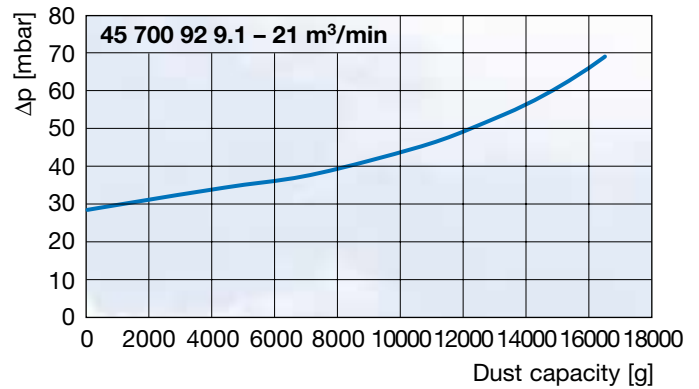
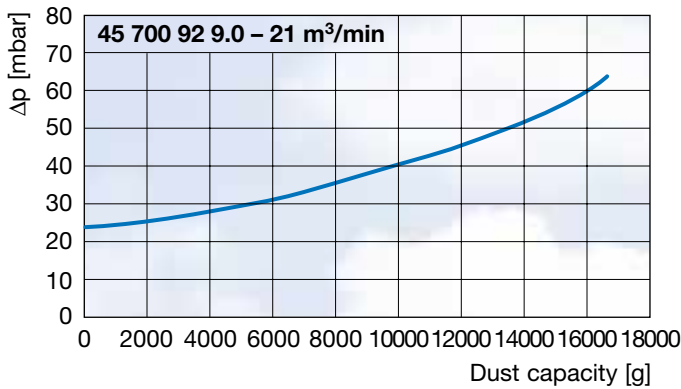
Flow rate as per ISO 5011

Flow rate as per ISO 5011



Dust capacity as per ISO 5011  
with SAE-coarse test dust

Dust capacity as per ISO 5011  
with SAE-coarse test dust



# Brackets for Europiclone 700 and 800

Special designed brackets for vibration free mounting of the air cleaners.  
 For assembling the Europiclone, two brackets of same type are necessary. You can choose between a wide (fig. 1) or a narrow bracket (fig. 2).

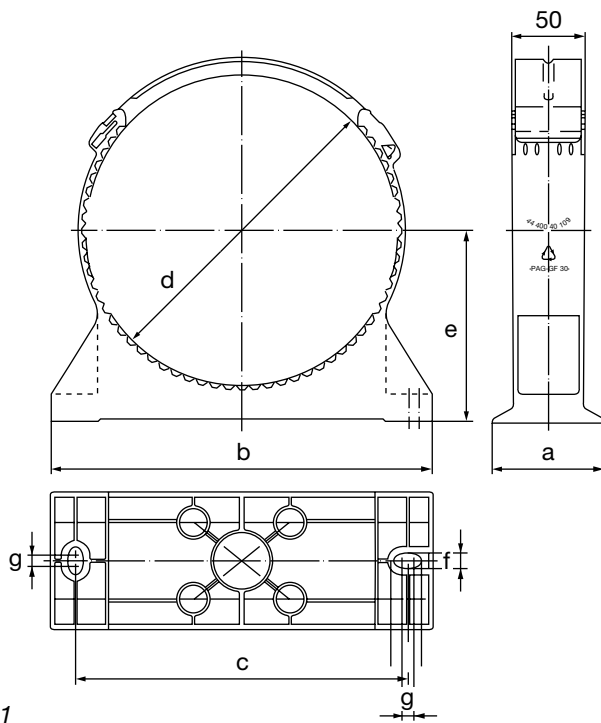


Fig. 1

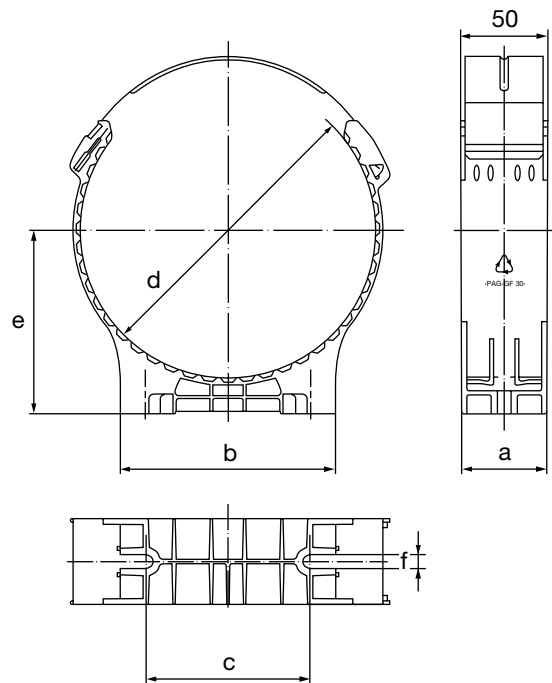


Fig. 2

Part No.	matches Europiclone	Fig.	Dimensions in mm						
			a	b	c	d	e	f	g
39 700 40 989	45 70. 92 ...	2	50	233	203	326	206	8.4	-
39 700 40 999	45 70. 92 ...	1	80	285	355	326	206	8.5	7
39 800 40 989	45 80. 92 ...	2	50	233	203	391.4	221	8.4	-
39 800 40 999	45 80. 92 ...	1	80	452	422	391.4	220	8.5	7

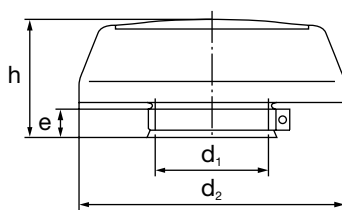
# Rain caps

made from plastic



## Rain caps

To prevent precipitation from entering into the filter, e.g. through rain, snow and splash water, MANN+HUMMEL recommends adding a rain cap to the air cleaner. As coarse debris is also kept out of the filter, the main element is protected and the servicing interval increased. The rain caps are simply fitted on the air inlet.



*e = Insertion depth*

Part No.	suitable for Europiclon	Dimensions in mm				Weight approx. [kg]
		d <sub>1</sub>	d <sub>2</sub>	e	h	
39 160 67 910	45 700 ..	132.5	360	50	150	0.90
39 190 67 910	45 800 ..	150.2	360	50	150	0.90

# Air conducting parts

## Straight elbow couplings (TPO)

Temperature stability -40 °C to +120 °C.

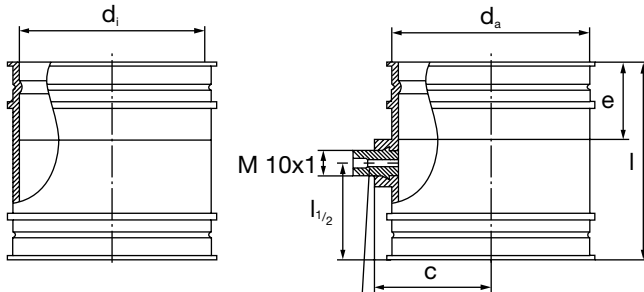


Fig. 1

Fig. 2 Connection for service switch/service indicator

Part No.	Fig.	Dimensions in mm					Connection for
		c	d <sub>i</sub>	d <sub>a</sub>	e	l	
39 700 27 979	2	75	130	135	27	72	M 10x1
39 700 27 999	1	-	-	-	-	-	-
39 800 27 979	2	83	150	155	27	72	M 10x1
39 800 27 999	1	-	-	-	-	-	-

## 90° Elbow couplings (TPO)

Temperature stability -40 °C to +120 °C.

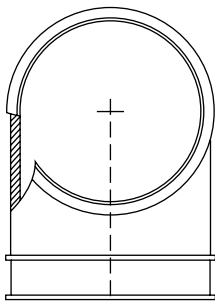


Fig. 1

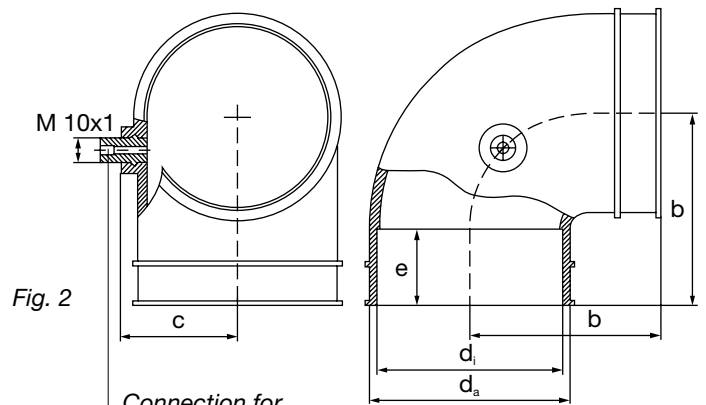
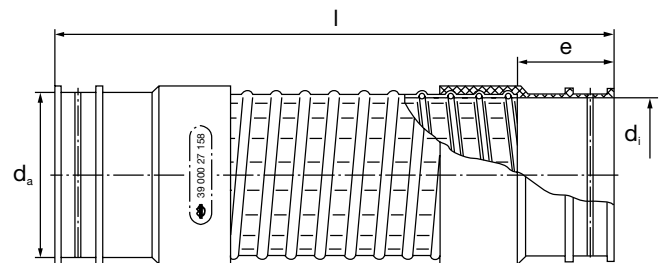


Fig. 2

Connection for service switch/service indicator

Part No.	Fig.	Dimensions in mm					Connection for
		b	c	d <sub>i</sub>	d <sub>a</sub>	e	
39 700 25 979	2	-	69	130	135	26.5	M 10x1
39 700 25 999	1	98.5	-	-	-	-	-
39 800 25 979	2	-	78	150	155	26.5	M 10x1
39 800 25 999	1	108.5	-	-	-	-	-

**Accordion hoses (TPO) with moulded-on end sleeves.** Depending on the vibration load up to 90° elbows are permissible. Temperature stability -30 °C to +100 °C.

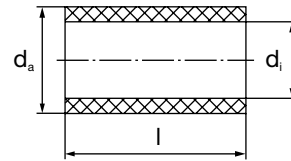


Part No.	Dimensions in mm				
	d <sub>i</sub>	d <sub>a</sub>	e	l <sub>min.</sub>	l <sub>max.</sub>
39 000 27 151	130	136	45+5	280	500
39 000 27 150	150	156	45+5	300	545

# Air conducting parts

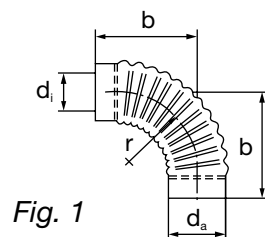
## Straight couplings (rubber) with fabric insert

Temperature stability -30 °C to +100 °C.



Part No.	Dimensions in mm		
	d <sub>i</sub>	d <sub>a</sub>	l
<b>39 000 27 192</b>	130	148	150
<b>39 000 27 183</b>	150	168	150

## 90° Elbow pipes (rubber)



Part No.	Fig.	Dimensions in mm			
		b	d <sub>i</sub>	d <sub>a</sub>	r
<b>39 000 25 266</b>	1	265	130	140	210
<b>39 000 25 267</b>	1	300	150	160	245

You'll find more information on other system components in our air cleaner catalogue 19 941 10 101.



**MANN+HUMMEL GMBH**, Industrial Filters Business Unit  
67346 Speyer, Germany, Telephone 0049 (0) 6232 53-80, Fax 0049 (0) 6232 53-88 99  
E-mail: if.info@mann-hummel.com, www.mann-hummel.com